



DEPARTMENT OF REGULATORY AND ECONOMIC RESOURCES (RER)
BOARD AND CODE ADMINISTRATION DIVISION

MIAMI-DADE COUNTY
PRODUCT CONTROL SECTION
11805 SW 26 Street, Room 208
Miami, Florida 33175-2474
T (786) 315-2590 F (786) 315-2599

NOTICE OF ACCEPTANCE (NOA)

www.miamidade.gov/economy

Atlas Armor, Inc.
1101 Holland Drive, Suite 16
Boca Raton, Florida 33487

SCOPE:

This NOA is being issued under the applicable rules and regulations governing the use of construction materials. The documentation submitted has been reviewed and accepted by Miami-Dade County RER- Product Control Section to be used in Miami Dade County and other areas where allowed by the Authority Having Jurisdiction (AHJ).

This NOA shall not be valid after the expiration date stated below. The Miami-Dade County Product Control Section (In Miami Dade County) and/or the AHJ (in areas other than Miami Dade County) reserve the right to have this product or material tested for quality assurance purposes. If this product or material fails to perform in the accepted manner, the manufacturer will incur the expense of such testing and the AHJ may immediately revoke, modify, or suspend the use of such product or material within their jurisdiction. RER reserves the right to revoke this acceptance, if it is determined by Miami-Dade County Product Control Section that this product or material fails to meet the requirements of the applicable building code.

This product is approved as described herein, and has been designed to comply with the High Velocity Hurricane Zone of the Florida Building Code.

DESCRIPTION: "Atlas Armor Hurricane Screens" Flexible Wind Abatement System

APPROVAL DOCUMENT: Drawing No. AD12-60, titled "Atlas Armor Hurricane Screens", sheets 1 through 10 of 10, prepared by MCY Engineering, Inc., dated March 04, 2019, last revision #2 dated March 04, 2019, signed and sealed by Yiping Wang, P.E., bearing the Miami-Dade County Product Control Revision stamp with the Notice of Acceptance number and the expiration date by the Miami-Dade County Product Control Section.

MISSILE IMPACT RATING: Large and Small Missile Impact Resistant

LABELING: Each panel shall bear a permanent label with the manufacturer's name or logo, city, state, the following statement: "Miami-Dade County Product Control Approved", and NOA number, per TAS-201, TAS-202, and TAS-203, unless otherwise noted herein.

RENEWAL of this NOA shall be considered after a renewal application has been filed and there has been no change in the applicable building code negatively affecting the performance of this product.

TERMINATION of this NOA will occur after the expiration date or if there has been a revision or change in the materials, use, and/or manufacture of the product or process. Misuse of this NOA as an endorsement of any product, for sales, advertising or any other purposes shall automatically terminate this NOA. Failure to comply with any section of this NOA shall be cause for termination and removal of NOA.

ADVERTISEMENT: The NOA number preceded by the words Miami-Dade County, Florida, and followed by the expiration date may be displayed in advertising literature. If any portion of the NOA is displayed, then it shall be done in its entirety.

INSPECTION: A copy of this entire NOA shall be provided to the user by the manufacturer or its distributors and shall be available for inspection at the job site at the request of the Building Official.

This NOA revises NOA #17-0426.11 and consists of this page 1, evidence submitted pages E-1, E-2, E-3 & E-4 as well as approval document mentioned above.

The submitted documentation was reviewed by **Helmy A. Makar, P.E., M.S.**



Helmy A. Makar
06/06/19

NOA No. 19-0415.03
Expiration Date: 04/18/2023
Approval Date: 06/06/2019
Page 1

NOTICE OF ACCEPTANCE: EVIDENCE SUBMITTED

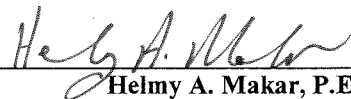
1. EVIDENCE SUBMITTED UNDER PREVIOUS APPROVAL #12-1107.05

A. DRAWINGS

1. *Drawing No. AD12-60, titled "Gladiator Screening Systems", sheets 1 through 10 of 10, prepared by MCY Engineering, Inc., dated April 03, 2013, signed and sealed by Yiping Wang, P.E., on April 04, 2013.*

B. TESTS

1. *Test report on Uniform Static Air Pressure Test of Gladiator Screening System Flexible Hurricane Wind Abatement System, prepared by Hurricane Engineering & Testing, Inc., Report No. HETI-11-3340, dated December 12, 2011, signed and sealed by Rafael E. Droz-Seda, P.E.*
2. *Test report on Large Missile Impact Test and Cyclic Wind Pressure Test of Gladiator Screening System Flexible Hurricane Wind Abatement System, prepared by Hurricane Engineering & Testing, Inc., Report No. HETI-11-3341, dated December 12, 2011, signed and sealed by Rafael E. Droz-Seda, P.E.*
3. *Test report on Uniform Static Air Pressure Test of Gladiator Screening System Flexible Hurricane Wind Abatement System, prepared by Hurricane Engineering & Testing, Inc., Report No. HETI-11-3343, dated December 12, 2011, signed and sealed by Rafael E. Droz-Seda, P.E.*
4. *Test report on Large Missile Impact Test and Cyclic Wind Pressure Test of Gladiator Screening System Flexible Hurricane Wind Abatement System, prepared by Hurricane Engineering & Testing, Inc., Report No. HETI-11-3336, dated December 12, 2011, signed and sealed by Rafael E. Droz-Seda, P.E.*
5. *Test report on Large Missile Impact Test and Cyclic Wind Pressure Test of Gladiator Screening System Flexible Hurricane Wind Abatement System, prepared by Hurricane Engineering & Testing, Inc., Report No. HETI-12-4057, dated September 21, 2012, signed and sealed by Rafael E. Droz-Seda, P.E.*
6. *Test report on Uniform Static Air Pressure Test of Gladiator Screening System Flexible Hurricane Wind Abatement System, prepared by Hurricane Engineering & Testing, Inc., Report No. HETI-12-4056, dated September 21, 2012, signed and sealed by Rafael E. Droz-Seda, P.E.*
7. *Test report on Uniform Static Air Pressure Test of Gladiator Screening System Flexible Hurricane Wind Abatement System, prepared by Hurricane Engineering & Testing, Inc., Report No. HETI-11-3335, dated December 12, 2011, signed and sealed by Rafael E. Droz-Seda, P.E.*
8. *Test report on Uniform Static Air Pressure Test of Gladiator Screening System Flexible Hurricane Wind Abatement System, prepared by Hurricane Engineering & Testing, Inc., Report No. HETI-12-4060, dated September 21, 2012, signed and sealed by Rafael E. Droz-Seda, P.E.*



Helmy A. Makar, P.E., M.S.
Product Control Section Supervisor

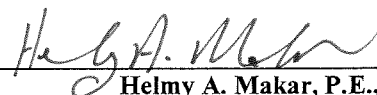
NOA No. 19-0415.03

Expiration Date: 04/18/2023

Approval Date: 06/06/2019

NOTICE OF ACCEPTANCE: EVIDENCE SUBMITTED

9. *Test report on Large Missile Impact Test and Cyclic Wind Pressure Test of Gladiator Screening System Flexible Hurricane Wind Abatement System, prepared by Hurricane Engineering & Testing, Inc., Report No. HETI-12-4061, dated September 21, 2012, signed and sealed by Rafael E. Droz-Seda, P.E.*
10. *Compressive Strength of Cylindrical Concrete Specimens, per ASTM C39-12, prepared by Hurricane Engineering & Testing, Inc., Report No. HETI-11-C173, dated October 02, 2012, signed and sealed by Rafael E. Droz-Seda, P.E.*
11. *Compressive Strength of Grout, per ASTM C39-12, prepared by Hurricane Engineering & Testing, Inc., Report No. HETI-11-C172, dated October 02, 2012, signed and sealed by Rafael E. Droz-Seda, P.E.*
12. *Breaking Strength and Elongation of Textile Fabrics Grab Test per ASTM D 5034-09 prepared by Hurricane Engineering & Testing, Inc., Report No. HETI-12-T121, dated September 21, 2012, signed and sealed by Rafael E. Droz-Seda, P.E.*
13. *Breaking Strength and Elongation of Textile Fabrics Grab Test per ASTM D 5034-09 prepared by Hurricane Engineering & Testing, Inc., Report No. HETI-12-T122, dated September 21, 2012, signed and sealed by Rafael E. Droz-Seda, P.E.*
14. *Sewn Seams Strength Using Grab Tensile Test per ASTM D 1683-11a prepared by Hurricane Engineering & Testing, Inc., Report No. HETI-12-T123, dated September 21, 2012, signed and sealed by Rafael E. Droz-Seda, P.E.*
15. *Breaking Force and elongation of Textile fabrics per ASTM D 638-10/ASTM D 5035-11 prepared by Hurricane Engineering & Testing, Inc., Report No. HETI-12-U108, dated July 24, 2012, signed and sealed by Rafael E. Droz-Seda, P.E.*
16. *Breaking Force and elongation of Textile fabrics per ASTM D 638-10/ASTM D 5035-11 prepared by Hurricane Engineering & Testing, Inc., Report No. HETI-12-U109, dated July 24, 2012, signed and sealed by Rafael E. Droz-Seda, P.E.*
17. *Accelerated Weathering Using Xenon Arc light Apparatus per ASTM G 155-05a prepared by Hurricane Engineering & Testing, Inc., Report No. HETI-12-A403, dated July 24, 2012, signed and sealed by Rafael E. Droz-Seda, P.E.*
18. *Test report on Large Missile Impact Test and Cyclic Wind Pressure Test of Gladiator Screening System Flexible Hurricane Wind Abatement System, prepared by Hurricane Engineering & Testing, Inc., Report No. HETI-11-3345, dated December 12, 2011, signed and sealed by Rafael E. Droz-Seda, P.E.*
19. *Test report on Large Missile Impact Test and Cyclic Wind Pressure Test of Gladiator Screening System Flexible Hurricane Wind Abatement System, prepared by Hurricane Engineering & Testing, Inc., Report No. HETI-11-3344, dated December 12, 2011, signed and sealed by Rafael E. Droz-Seda, P.E.*



Helmy A. Makar, P.E., M.S.
Product Control Section Supervisor
NOA No. 19-0415.03
Expiration Date: 04/18/2023
Approval Date: 06/06/2019

Atlas Armor, Inc.

NOTICE OF ACCEPTANCE: EVIDENCE SUBMITTED

C. CALCULATIONS

1. *Comparative Analysis and Anchor calculations dated November 03, 2012, Pages L-1, L-2, D-1, TR-1, A-1 through A-31, R-1 through R-3, T-1 through T-55, prepared by MCY Engineering, Inc., signed and sealed by Yiping Wang, P.E.*

D. QUALITY ASSURANCE

1. *By Miami-Dade County Department of Regulatory and Economic Resources.*

E. MATERIAL CERTIFICATIONS

1. *Fabric specifications.*

2. EVIDENCE SUBMITTED UNDER PREVIOUS APPROVAL #14-0811.17

A. DRAWINGS

1. *Drawing No. AD12-60, titled "Gladiator Screening Systems", sheets 1 through 10 Of 10, prepared by MCY Engineering, Inc., dated April 03, 2013, last revision #1 dated October 13, 2015, signed and sealed by Yiping Wang, P.E.*

B. TESTS

1. *None.*

C. CALCULATIONS

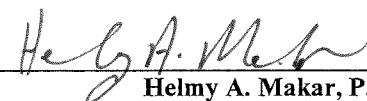
1. *Anchor calculations dated October 12, 2015, Pages L-1, L-2, D-1, TR-1, A-1 through A-36, R-1 through R-5, prepared by MCY Engineering, Inc., signed and sealed by Yiping Wang, P.E., on October 15, 2015.*

D. QUALITY ASSURANCE

1. *By Miami-Dade County Department of Regulatory and Economic Resources.*

E. MATERIAL CERTIFICATIONS

1. *Fabric specifications.*



Helmy A. Makar, P.E., M.S.
Product Control Section Supervisor
NOA No. 19-0415.03
Expiration Date: 04/18/2023
Approval Date: 06/06/2019

Atlas Armor, Inc.

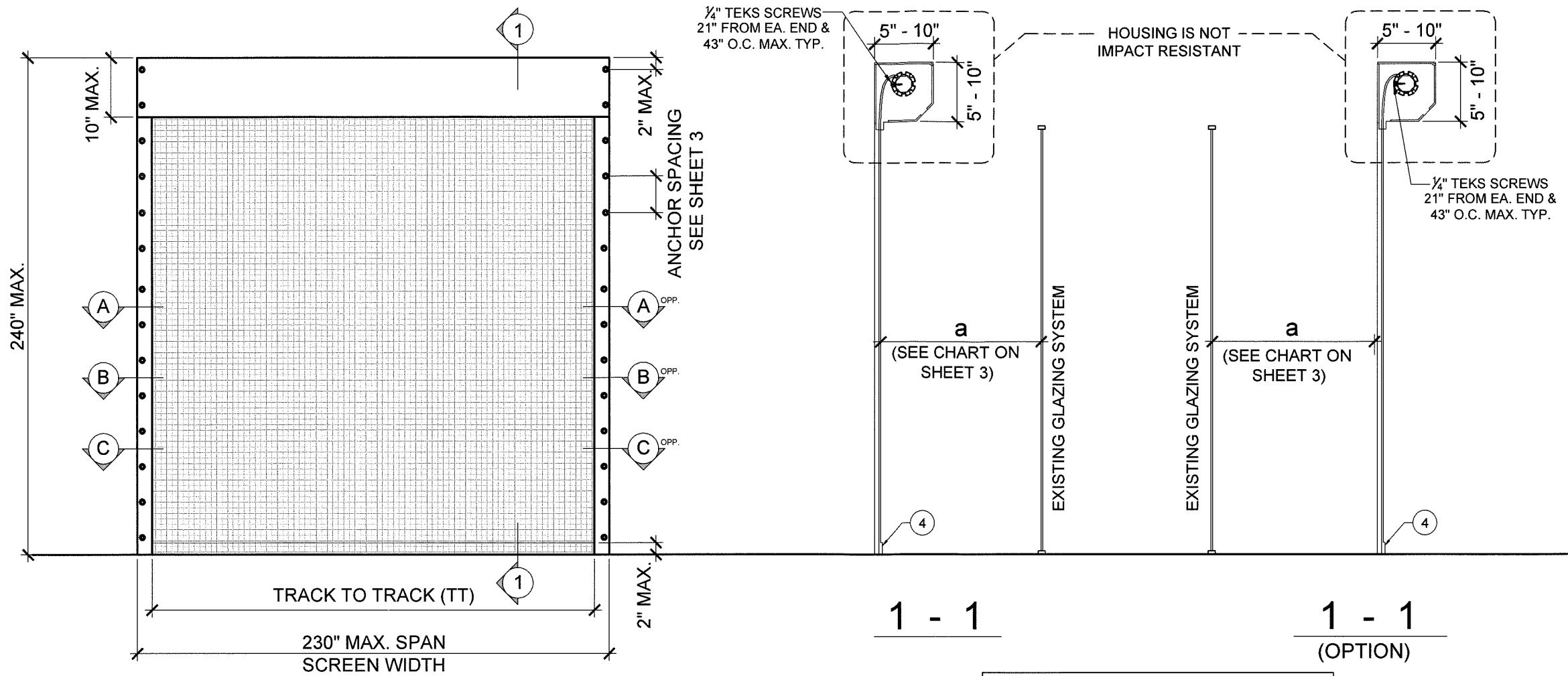
NOTICE OF ACCEPTANCE: EVIDENCE SUBMITTED

- 3. EVIDENCE SUBMITTED UNDER PREVIOUS APPROVAL #17-0426.11**
 - A. DRAWINGS**
 - 1. *None.*
 - B. TESTS**
 - 1. *None.*
 - C. CALCULATIONS**
 - 1. *None.*
 - D. QUALITY ASSURANCE**
 - 1. *By Miami-Dade County Department of Regulatory and Economic Resources.*
 - E. MATERIAL CERTIFICATIONS**
 - 1. *None.*

- 4. NEW EVIDENCE SUBMITTED**
 - A. DRAWINGS**
 - 1. *Drawing No. AD12-60, titled "Atlas Armor Hurricane Screens", sheets 1 through 10 of 10, prepared by MCY Engineering, Inc., dated March 04, 2019, last revision #2 dated March 04, 2019, signed and sealed by Yiping Wang, P.E.*
 - B. TESTS**
 - 1. *None.*
 - C. CALCULATIONS**
 - 1. *None.*
 - D. QUALITY ASSURANCE**
 - 1. *By Miami-Dade County Department of Regulatory and Economic Resources.*
 - E. MATERIAL CERTIFICATIONS**
 - 1. *None.*



Helmy A. Makar, P.E., M.S.
Product Control Section Supervisor
NOA No. 19-0415.03
Expiration Date: 04/18/2023
Approval Date: 06/06/2019



ATLAS ARMOR HURRICANE SCREEN SYSTEM WITH HOUSING
(L.M.I. & S.M.I.)

GENERAL NOTES:

- THE ROLLING SCREEN SYSTEM IS NON-POROUS LARGE/SMALL MISSILE IMPACT PROTECTION DEVICE. IT HAS BEEN DESIGNED AND TESTED TO COMPLY WITH THE REQUIREMENTS OF THE 6TH EDITION FLORIDA BUILDING CODE (2017) EDITION. FOR USE INSIDE OF THE HIGH VELOCITY HURRICANE ZONE (HVHZ).
- THIS PRODUCT HAVE BEEN TESTED AS PER FBC 2017 TAS 201, 202 (STRUCTURAL WIND LOAD ONLY) AND 203 FOR LARGE/SMALL MISSILE IMPACT. THE SYSTEM IS ALSO TESTED AS PER ASTM D635-06, ASTM D2843-99, ASTM D1929-96 AND ASTM G155.
- THIS PRODUCT HAS SUCCESSFULLY PASSED THE EXTENDED WEATHERING TEST (ASTM G-155) FOR DAILY USAGE IN FULL SPECTRUM SUNLIGHT.
- DESIGN LOAD SHALL BE DETERMINED BASED ON BASIC WIND SPEED, BUILDING HEIGHT AND WIND ZONE USING APPLICABLE ASCE 7-10 STANDARD.
- DESIGN LOAD OBTAINED FROM ASCE 7-10 (ULTIMATE LOAD), MULTIPLY BY 0.6, SHALL BE LESS THAN OR EQUAL TO MAX. DESIGN LOAD IN THIS DOCUMENT.
- ANCHORS SHALL BE AS LISTED, SPACED AS SHOWN ON DETAILS. ANCHORS EMBEDMENT TO BASE MATERIAL SHALL BE BEYOND WALL DRESSING OR STUCCO..

- ANCHORING OR LOADING CONDITIONS NOT SHOWN IN THESE DETAILS ARE NOT PART OF THIS APPROVAL
- MATERIALS INCLUDING BUT NOT LIMITED TO METAL SCREWS THAT COME INTO CONTACT WITH OTHER DISSIMILAR MATERIALS SHALL MEET THE REQUIREMENTS OF THE 6TH EDITION FLORIDA BUILDING CODE (2017) SECTION AS APPLICABLE.
- IT SHALL BE THE RESPONSIBILITY OF THE CONTRACTOR/E.O.R. TO VERIFY THAT THE EXISTING STRUCTURE OR APPROVED MULLION IS DESIGNED TO SUPPORT Fx & Fy FORCES AT END OF TRACK. FOR Fx & Fy REFER TO CHART ON SHEET 3.
- ROLLUP MECHANISM IS NOT PART OF THIS APPROVAL. CARE SHOULD BE TAKEN WHEN SCREEN IS IN MOTION TO ENSURE THAT PERSONAL INJURY OR DAMAGE TO THIS PRODUCT DOES NOT OCCUR.
- ALL SCREEN PANELS SHALL BE PERMANENTLY LABELED, IN A READILY VISIBLE LOCATION, WITH AT LEAST ONE LABEL STATING:

ATLAS ARMOR, INC.
22909 IRONWEDGE DRIVE
BOCA RATON, FL 33433
MIAMI DADE COUNTY
PRODUCT CONTROL APPROVAL

DESIGN LOADS V.S. SCREEN WIDTH
SEE CHART ON SHEET 3

<p>PRODUCT REVISED as complying with the Florida Building Code Acceptance No. 19-0415-03 Expiration Date 4/18/2023 By <i>[Signature]</i> Miami Dade Product Control</p>	<p>YIPING WANG, P.E. FLORIDA REGISTRATION PE #55983 C.I.A.N.D. 28677</p> <p>STATE OF FLORIDA PROFESSIONAL ENGINEER</p>
---	--

NO.	DATE	DESCRIPTION
1.	10/19/15	UPDATE TO 2014 FBC
2.	03/04/19	UPDATE TO 2017 FBC

MCY ENGINEERING, INC.
GLAZING CONSULTANTS

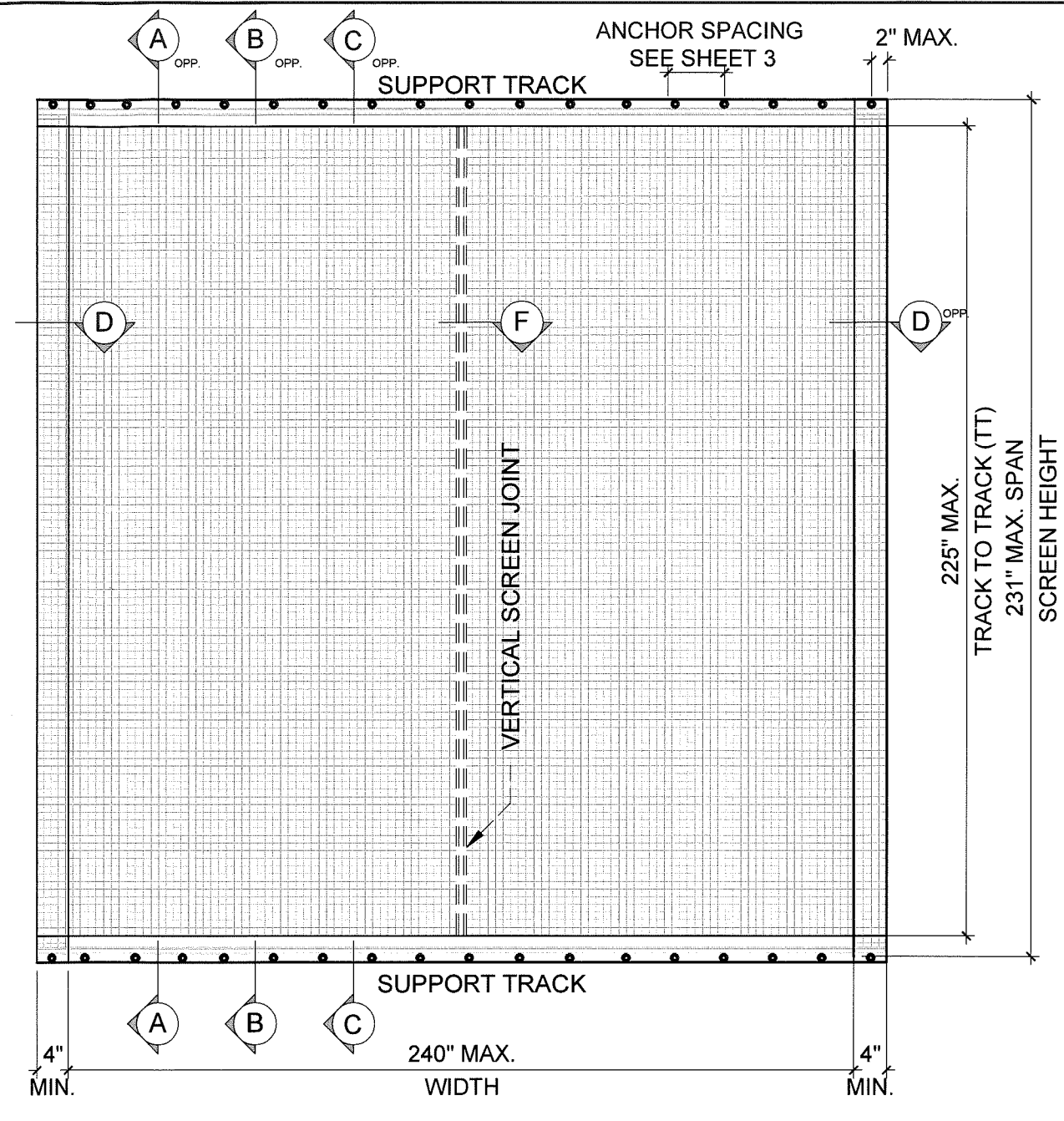
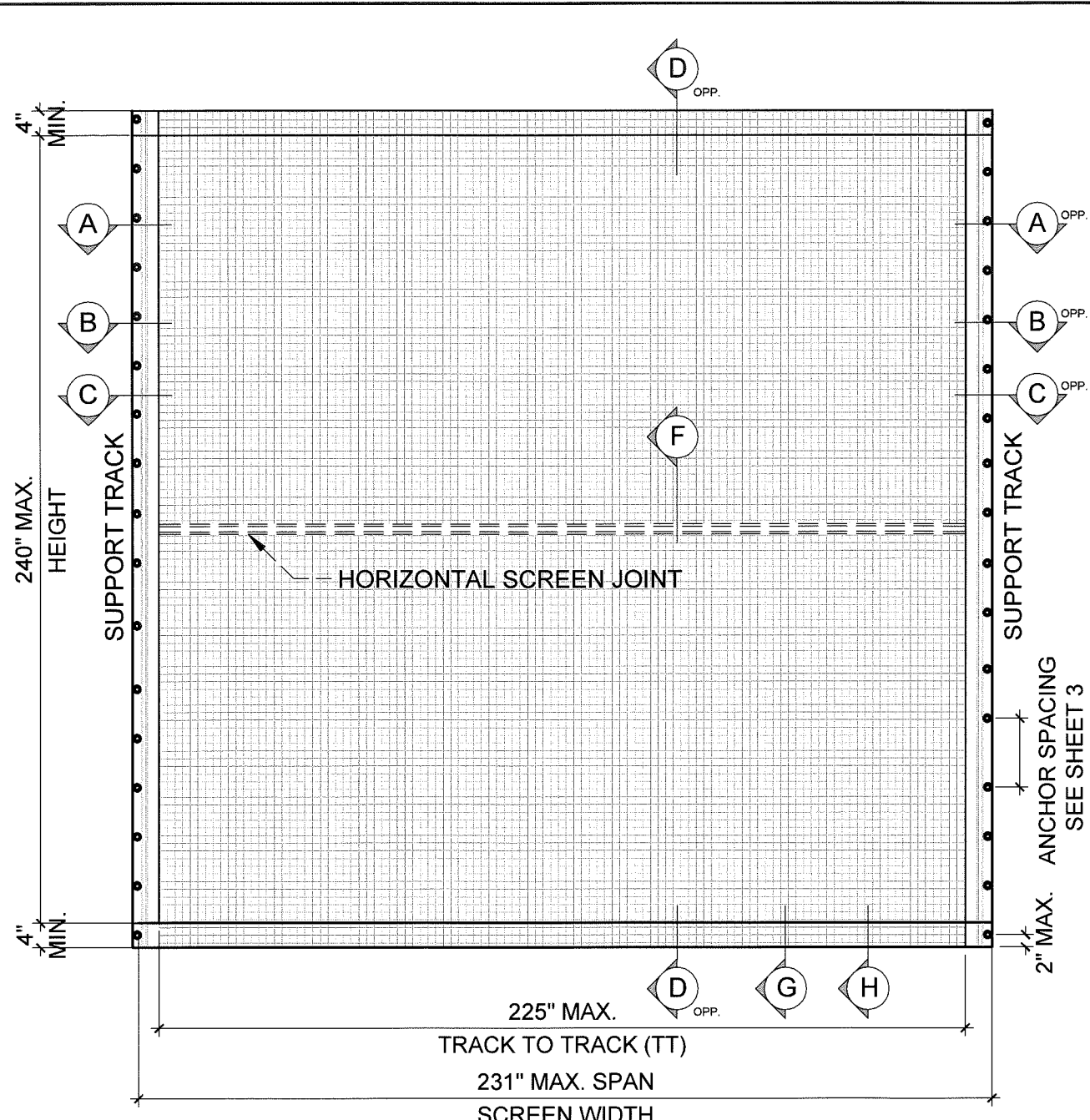
8501 SW 124 AVE. STE. 205 P: 786.360.2786
MIAMI, FL 33183
www.MCYEngineering.com mcy@mcyengineering.com

ATLAS ARMOR HURRICANE SCREENS - (LMI & SMI)

ATLAS ARMOR, INC.
22909 IRONWEDGE DRIVE
BOCA RATON, FL 33433
P: (561) 206-0813

DATE	03-04-2019
SCALE	AS NOTED
DRAWN	YIN
PROJECT	MCY 12-135
DRAWING NO.	AD12-60
SHEET	1 OF 10

MAR 21 2019

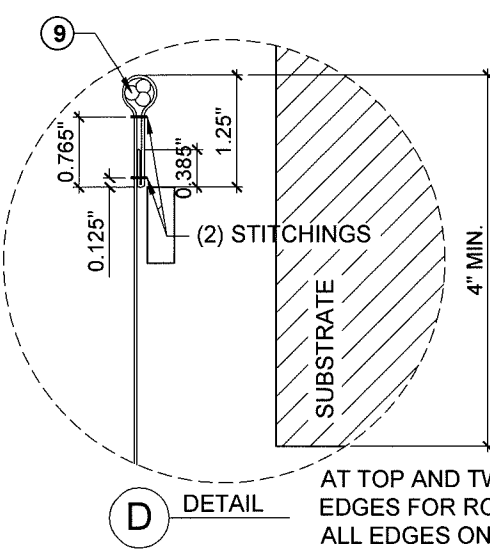


SCREEN ELEVATION BOTH SIDES SUPPORT

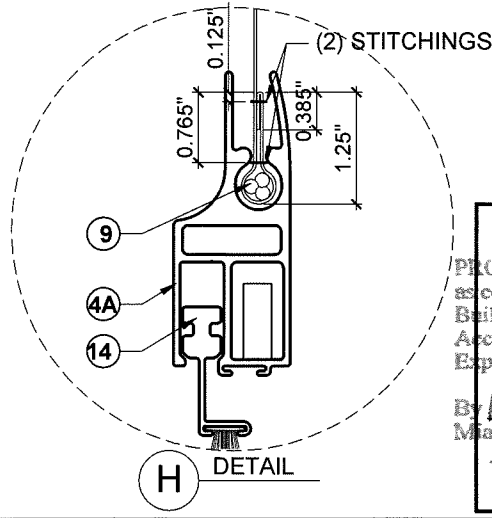
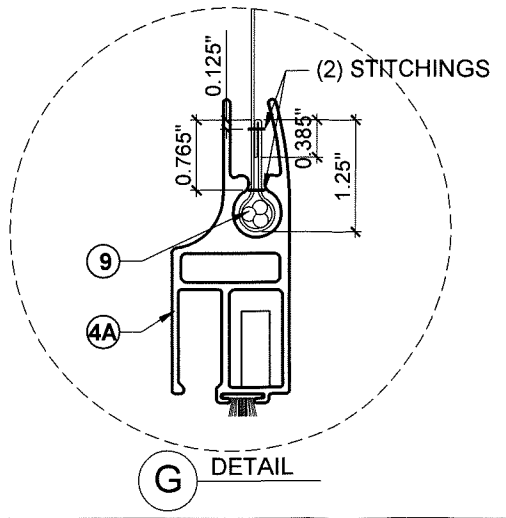
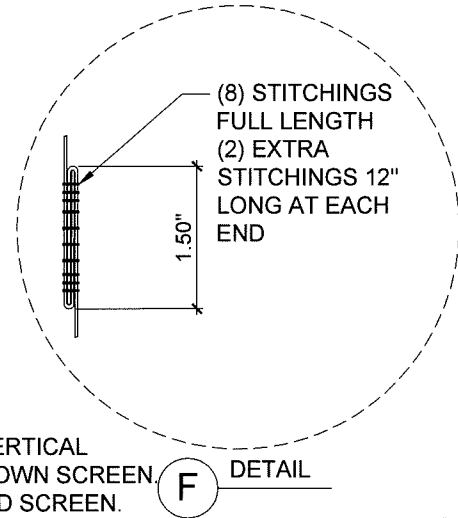
ATLAS ARMOR HURRICANE SCREEN SYSTEM WITHOUT HOUSING (L.M.I. & S.M.I)

SCREEN ELEVATION TOP & BOTTOM SUPPORT

DESIGN LOADS V.S. SCREEN WIDTH SEE CHART ON SHEET 3



AT TOP AND TWO VERTICAL EDGES FOR ROLL DOWN SCREEN. ALL EDGES ON FIXED SCREEN.



PRODUCT REVISED as complying with the Florida Building Code
Acceptance No. 19-0415.03
Expiration Date 04/18/2023
By: *Heba A. Mohr*
Miami Dade Product Control
MIAMI DADE COUNTY

YIPING WANG, P.E.
FLORIDA REGISTRATION PE #55983
C.A.N. 28677
No. 55983
Yiping Wang
PROFESSIONAL ENGINEER

NO	DATE	DESCRIPTION
1	10/19/16	UPDATE TO 2014 FBC
2	03/04/19	UPDATE TO 2017 FBC

MCY ENGINEERING, INC.
GLAZING CONSULTANTS
8501 SW 124 AVE. STE. 205
MIAMI, FL 33183
P: 786.360.2786
www.MCYEngineering.com
mcy@mcyengineering.com

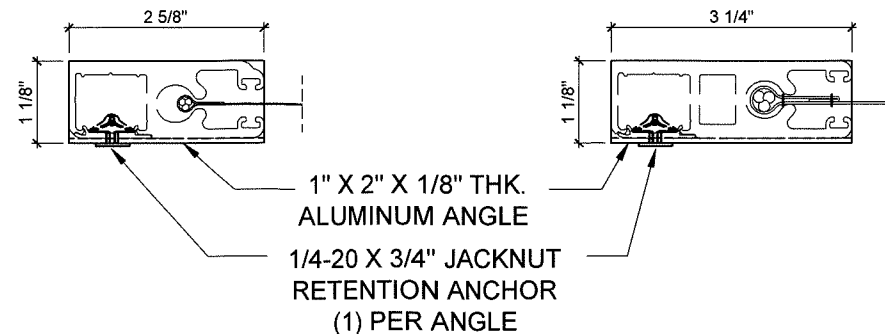
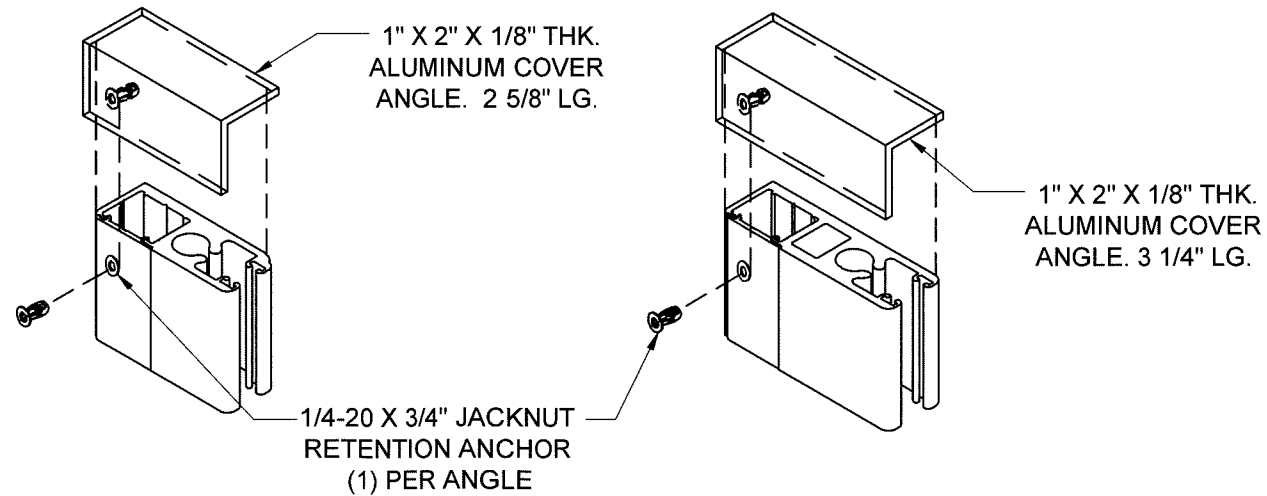
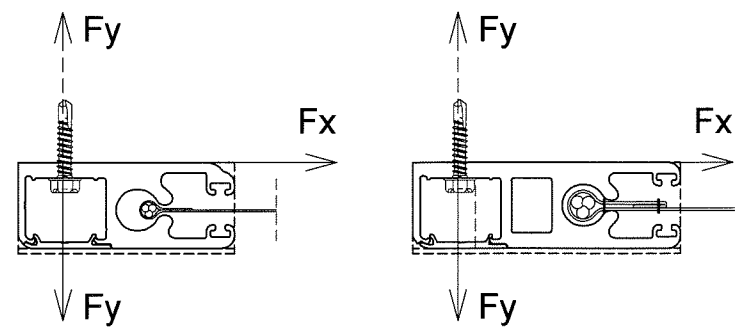
ATLAS ARMOR HURRICANE SCREENS - (LMI & SMI)
ATLAS ARMOR, INC.
22909 IRONWEDGE DRIVE
BOCA RATON, FL 33433
P: (561) 206-0813

DATE	03-04-2019
SCALE	AS NOTED
DRAWN	YIN
PROJECT	MCY 12-136
DRAWING NO.	AD12-60
SHEET	2 OF 10

MAR 2 1 2019

CHART FOR DESIGN LOAD VS. SPAN AND ANCHOR SPACING

MAX. DESIGN LOAD (PSF)	SPAN / SCREEN WIDTH (INCHES)	END REACTIONS AT TRACK		GLASS SEPARATION	ANCHOR SPACING (IN.)															
		F _x	F _y		a	DETAIL A					DETAIL B					DETAIL C				
		LBS/FT	LBS/FT	IN.		OPTION 1	OPTION 2	OPTION 3		OPTION 4	OPTION 1	OPTION 2	OPTION 3		OPTION 4	OPTION 1	OPTION 2	OPTION 3		OPTION 4
					CONCR.	CONCR.	STEEL	ALUM.	WOOD	CONCR.	CONCR.	STEEL	ALUM.	WOOD	CONCR.	CONCR.	STEEL	ALUM.	WOOD	
≤ 50	0 TO 84.0	602	175	9.7	5.5	5.5	5.5	5.5	5.5	5.5	5.5	5.5	5.5	4.9	5.5	5.5	5.5	5.5	5.5	5.5
	120.0	685	250	15.0	5.5	5.5	5.5	5.5	5.5	5.5	5.5	5.5	5.5	4.2	5.5	5.5	5.5	5.5	5.5	5.5
	156.0	734	325	21.7	5.5	5.5	5.5	5.5	5.0	5.5	5.5	5.5	5.5	3.9	5.5	5.5	5.5	5.5	5.5	5.0
	192.0	761	400	29.9	5.4	5.5	5.5	5.5	4.5	5.4	5.5	5.5	5.5	-	5.5	5.5	5.5	5.5	5.5	4.7
	230.8	774	481	40.6	5.0	5.5	5.5	5.3	4.0	5.1	5.5	5.5	5.5	-	5.5	5.5	5.5	5.5	5.5	4.5
≤ 65	0 TO 72	732	195	9.5	5.5	5.5	5.5	5.5	5.5	5.5	5.5	5.5	5.5	4.1	5.5	5.5	5.5	5.5	5.5	5.3
≤ 80	0 TO 84.0	964	280	9.7	5.1	5.5	5.5	5.3	4.6	-	5.5	5.5	5.3	-	5.5	5.5	5.5	5.5	5.5	4.0
	120.0	1097	400	15.0	-	5.5	5.5	4.4	3.7	-	4.8	5.5	4.5	-	5.5	5.5	5.5	5.5	5.5	5.5
	156.0	1175	520	26.8	-	4.9	5.5	3.9	3.2	-	-	5.5	4.0	-	5.5	5.5	5.5	5.5	5.5	-
≤ 100	0 TO 79.0	1205	350	10.0	-	5.4	5.5	4.2	3.7	-	4.5	5.3	4.2	-	5.5	5.5	5.5	5.5	5.5	-



PRODUCT REVISED
 as complying with the Florida
 Building Code
 Acceptance No. 19-0415-03
 Expiration Date 04/15/2023
 By: *Heidi A. Nelson*
 Miami Dade Product Control

YIPING WANG, P.E.
 FLORIDA REGISTRATION
 PE #55983
 C.A.N. 28677
 NO. 55983
 PROFESSIONAL ENGINEER

MIAMI DADE COUNTY

NO.	DATE	DESCRIPTION
1	10/19/15	UPDATE TO 2014 FBC
2	09/04/19	UPDATE TO 2017 FBC

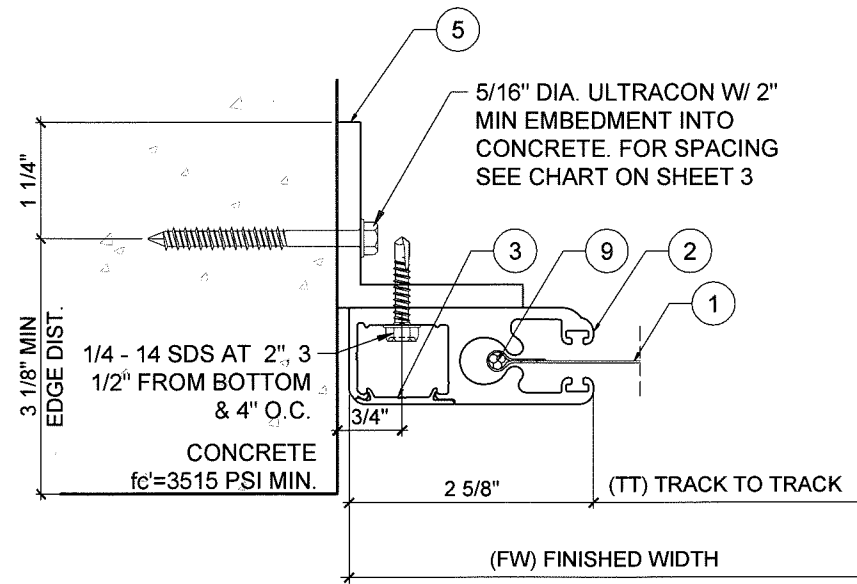
MCY ENGINEERING, INC.
 GLAZING CONSULTANTS
 6501 SW 124 AVE. STE. 205 P: 786.360.2786
 MIAMI, FL 33183
 www.MCYEngineering.com mcy@mcyengineering.com

ATLAS ARMOR HURRICANE SCREENS - (LMI & SMI)
 ATLAS ARMOR, INC.
 22909 IRONWEDGE DRIVE
 BOCA RATON, FL 33433
 P: (561) 206 - 0813

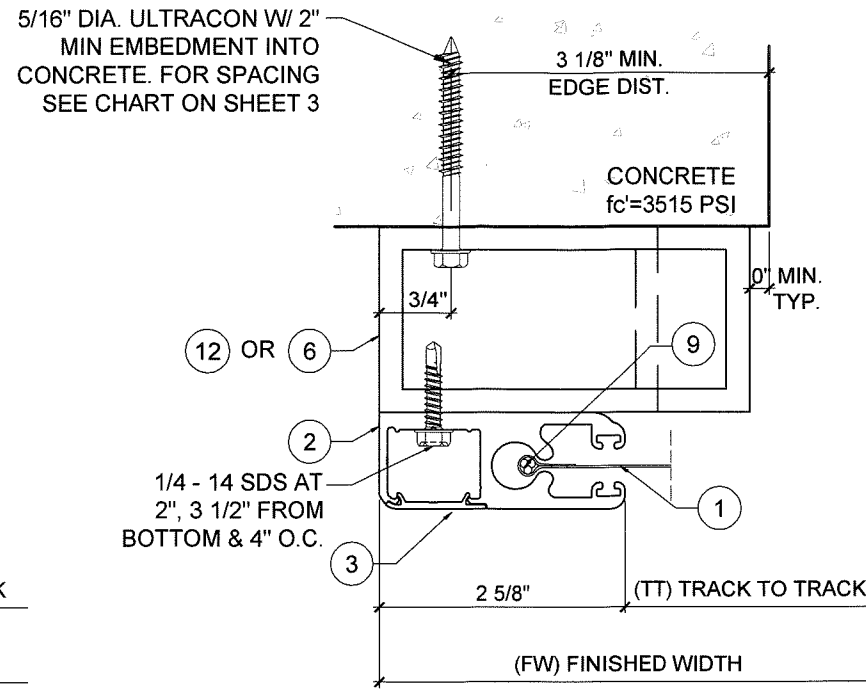
DATE	03-04-2019
SCALE	AS NOTED
DRAWN	YIN
PROJECT	MCY 12-135
DRAWING NO.	AD12-60
SHEET	3 OF 10

MAR 21 2019

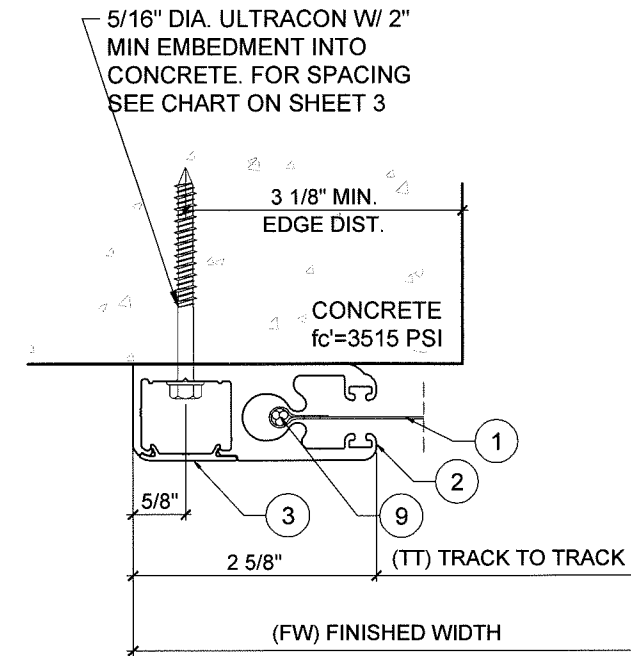
DETAILS WITH STANDARD TRACKS



A OPTION 1

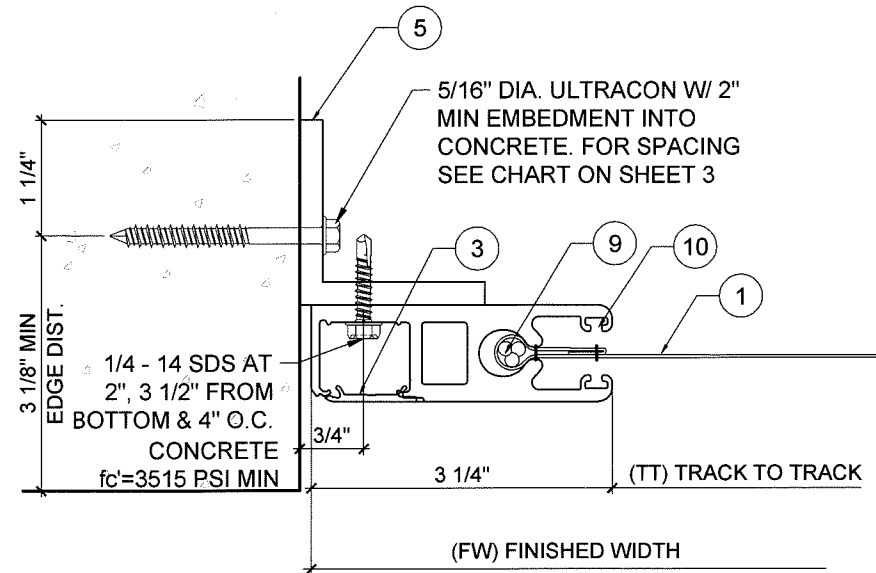


B OPTION 1

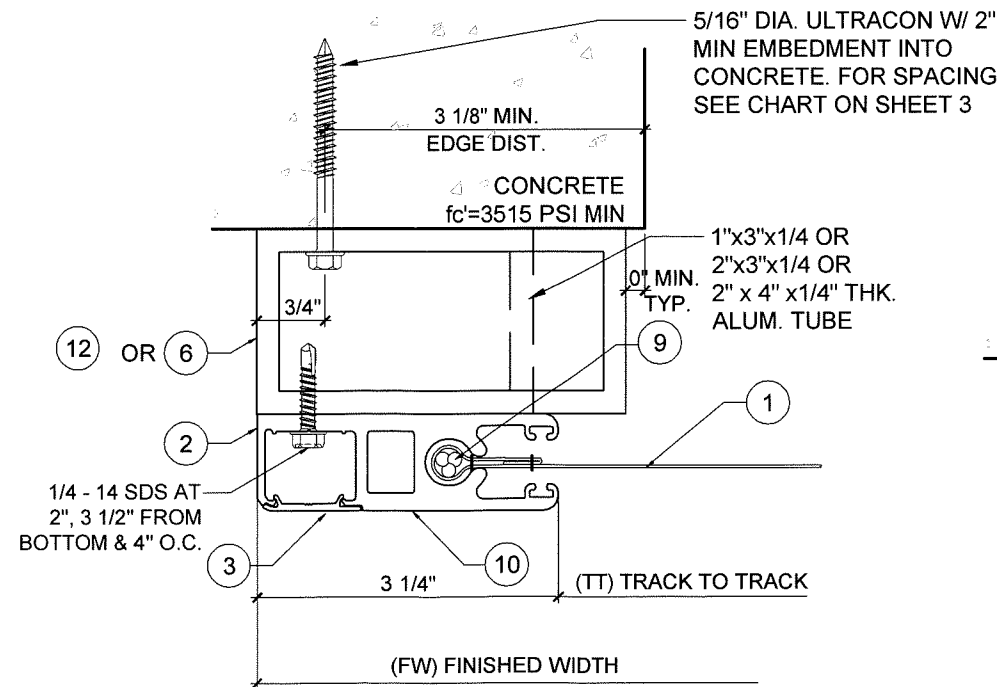


C OPTION 1

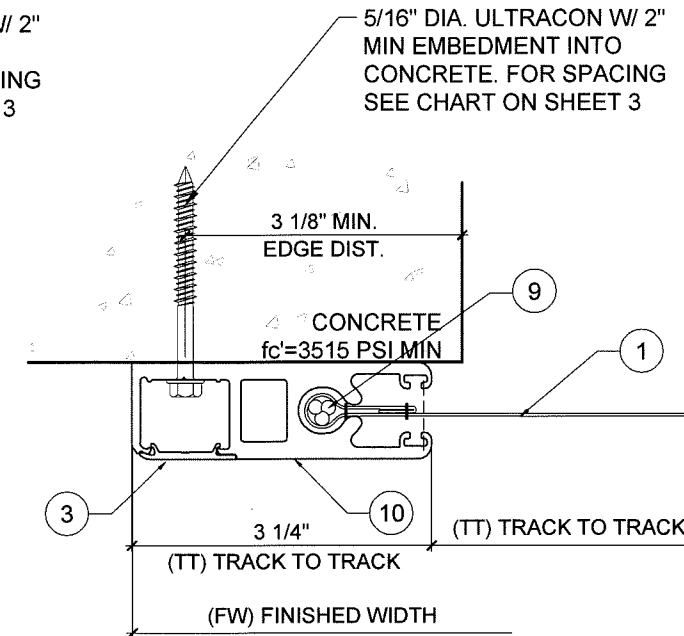
DETAILS WITH HEAVY DUTY TRACKS



A OPTION 1



B OPTION 1



C OPTION 1

ANCHOR
5/16" DIA. ULTRACON BY 'ELCO' (Fy=155 ksi Fu = 177 ksi)

ATTACHMENT TO CONCRETE

fc= 3515 PSI MIN.

PRODUCT REVISED
as complying with the Florida
Building Code
Acceptance No. 19-0415.03
Expiration Date 04/18/2023
By: *Helga A. Nahr*
Miami Dade Product Control

YIPING WANG, P.E.
FLORIDA REGISTRATION
PE #55983
C.A.N. 28677
No. 55983
Yiping Wang
PROFESSIONAL ENGINEER
FLORIDA

MIAMI DADE COUNTY

NO.	DATE	DESCRIPTION
1.	10/19/15	UPDATE TO 2014 FBC
2.	09/04/19	UPDATE TO 2017 FBC

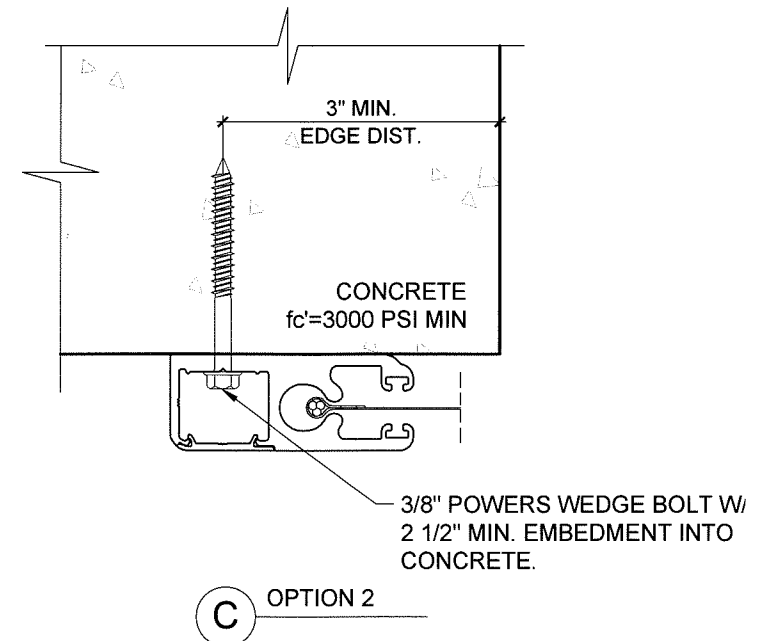
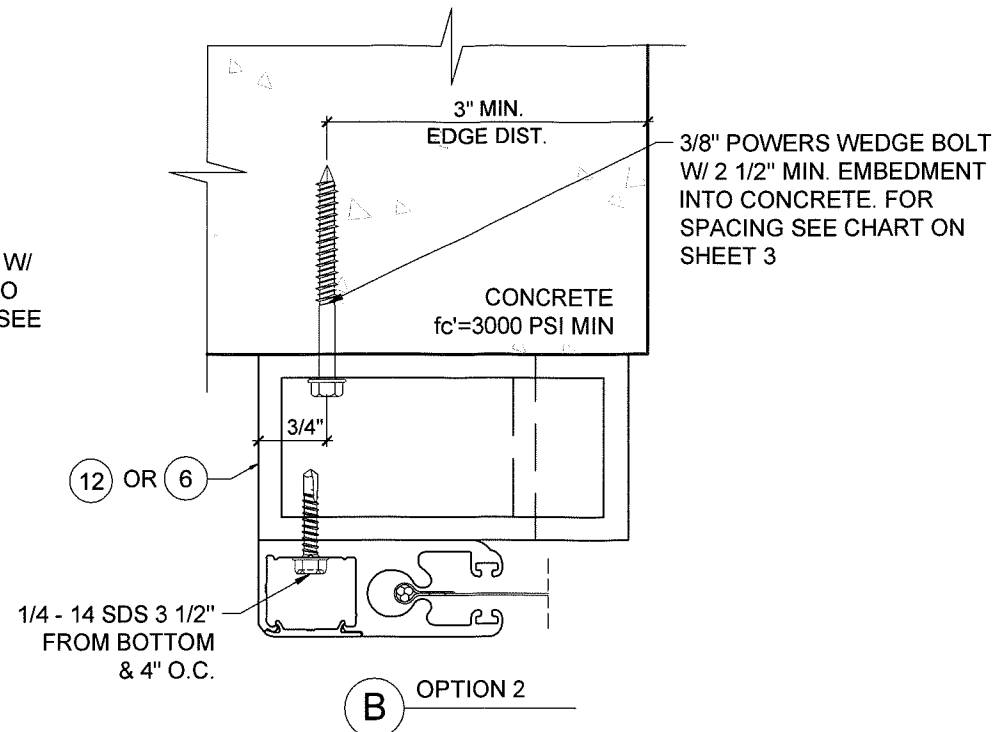
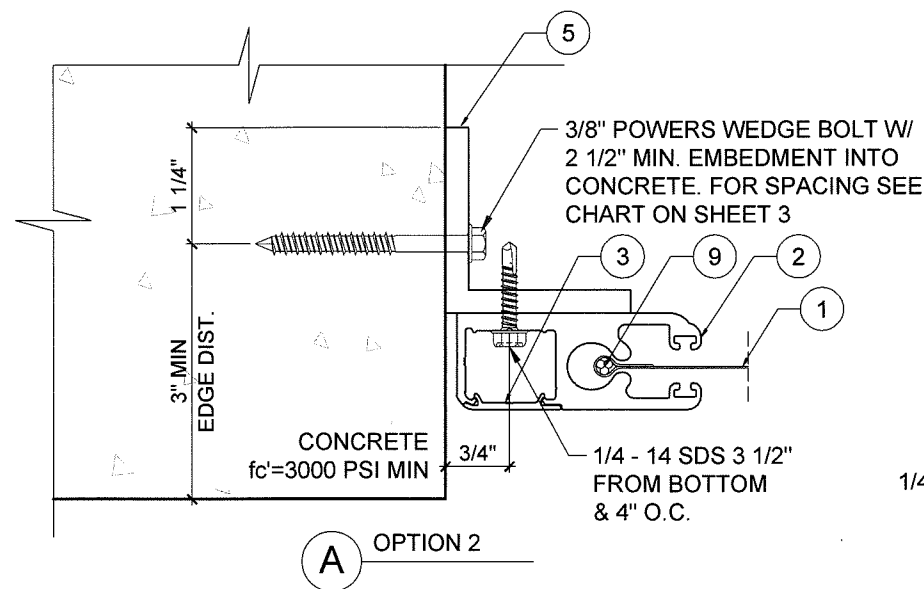
MCY ENGINEERING, INC.
GLAZING CONSULTANTS
8501 SW 124 AVE. STE. 205
MIAMI, FL 33183
P: 786.360.2786
www.MCYEngineering.com
mcy@mcyengineering.com

ATLAS ARMOR HURRICANE SCREENS - (LMI & SMI)
ATLAS ARMOR, INC.
22909 IRONWEDGE DRIVE
BOCA RATON, FL 33433
P: (561) 206 - 0813

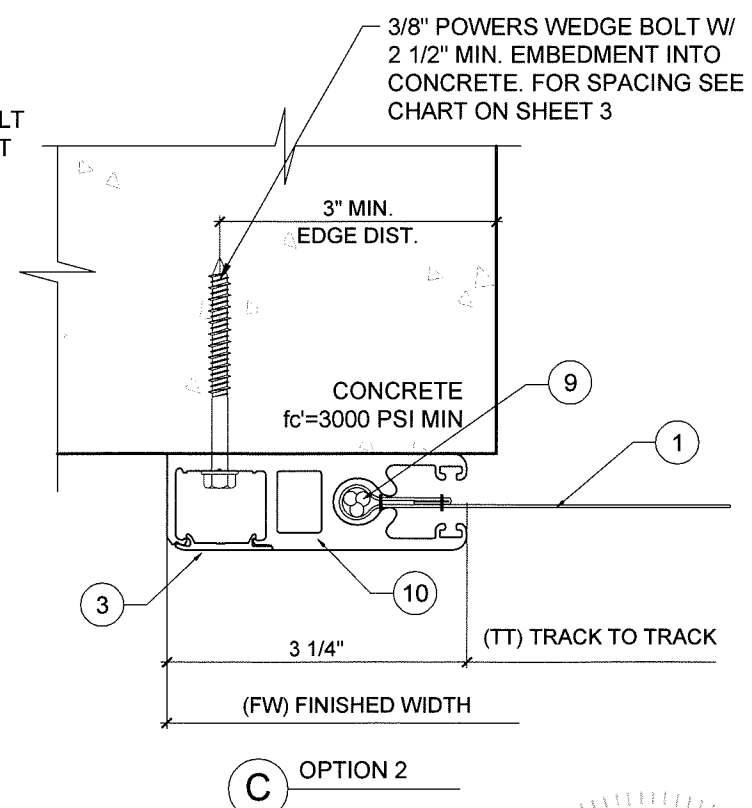
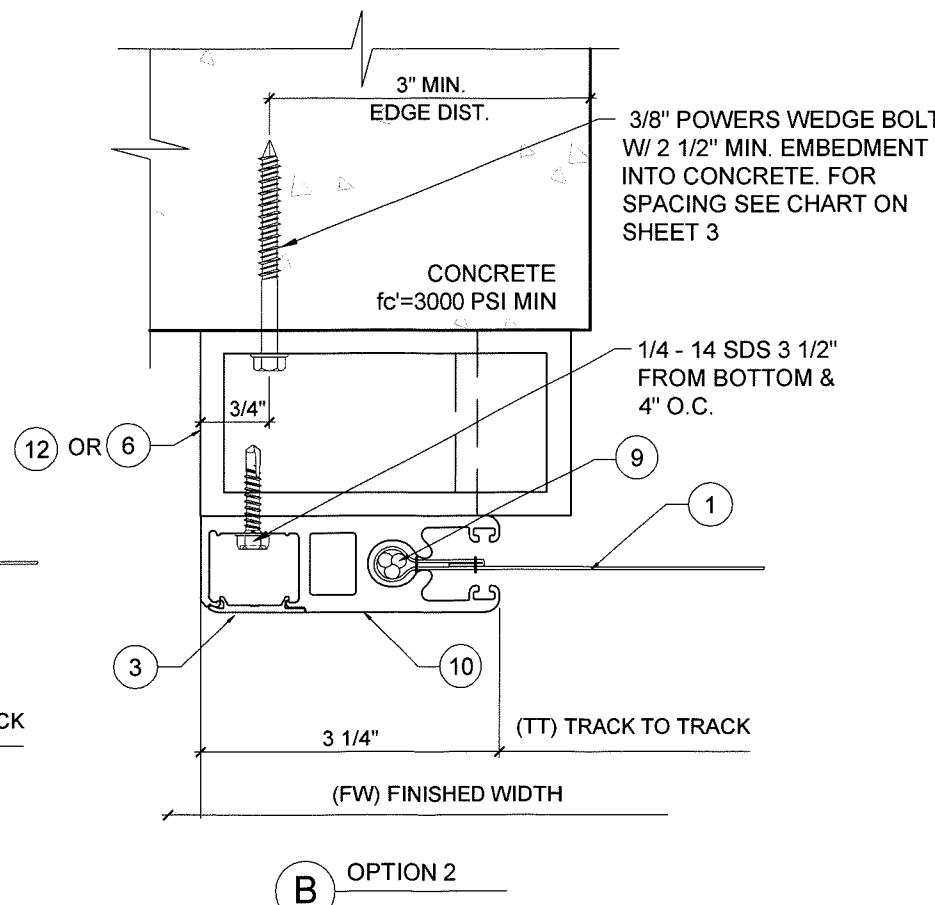
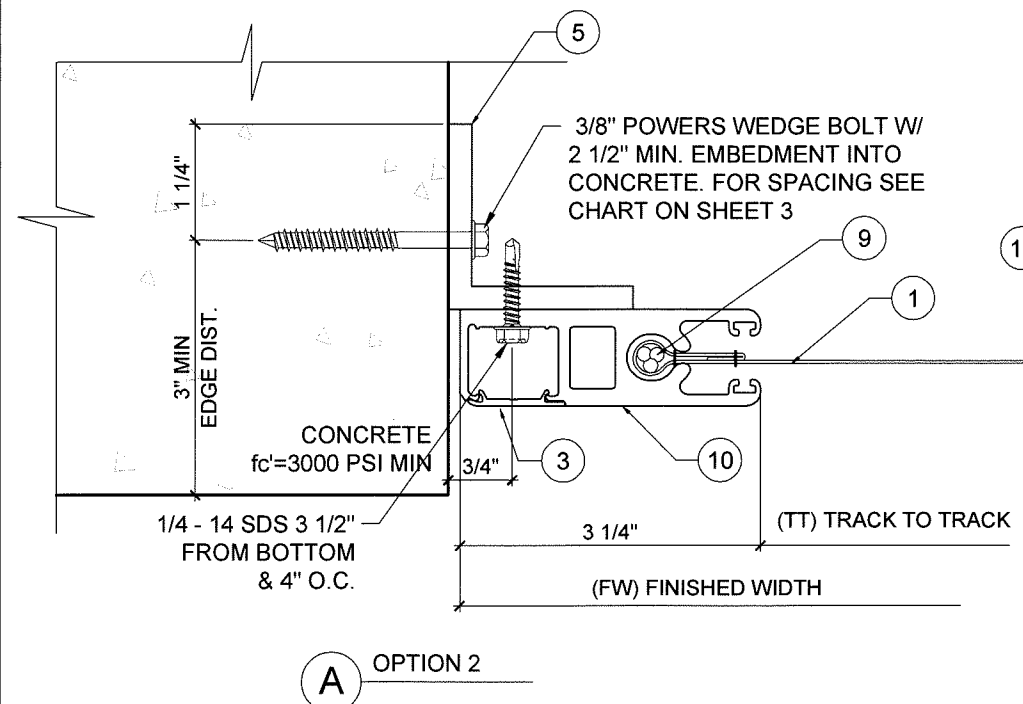
DATE	03-04-2019
SCALE	AS NOTED
DRAWN	YIN
PROJECT	MCY 12-135
DRAWING NO.	AD12-60
SHEET	4 OF 10

MAR 21 2019

DETAILS WITH STANDARD TRACKS



DETAILS WITH HEAVY DUTY TRACKS



ANCHOR
3/8" DIA. WEDGE BOLT BY: "POWERS" Fu =100 KSI Fy= 65KSI

ATTACHMENT TO CONCRETE
f_c'= 3000 PSI MIN.

PRODUCT REVISED
as complying with the Florida
Building Code
Acceptance No 19-0415.03
Expiration Date 04/18/2023
By *Hedy A. M...*
Miami Dade Product Control

MIAMI DADE COUNTY

YIPING WANG, P.E.
FLORIDA REGISTRATION
PE #55983
C.A.N. 28677
No. 55983

DATE 03-04-2019
SCALE AS NOTED
DRAWN YIN
PROJECT MCY 12-135
DRAWING NO.
AD12-60
SHEET 5 OF 10

REVISIONS

NO	DATE	DESCRIPTION
1	10/19/15	UPDATE TO 2014 FBC
2	09/04/19	UPDATE TO 2017 FBC

MCY ENGINEERING, INC.
GLAZING CONSULTANTS

6501 SW 124 AVE. STE. 205
MIAMI, FL 33183

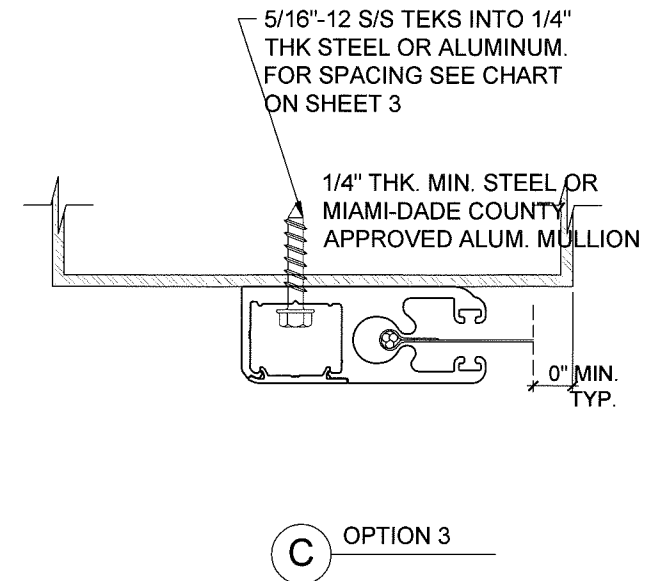
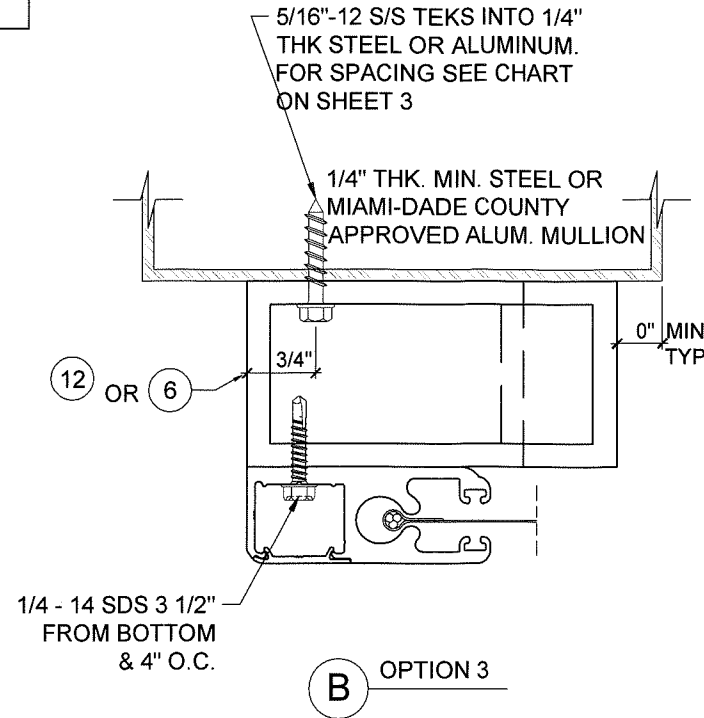
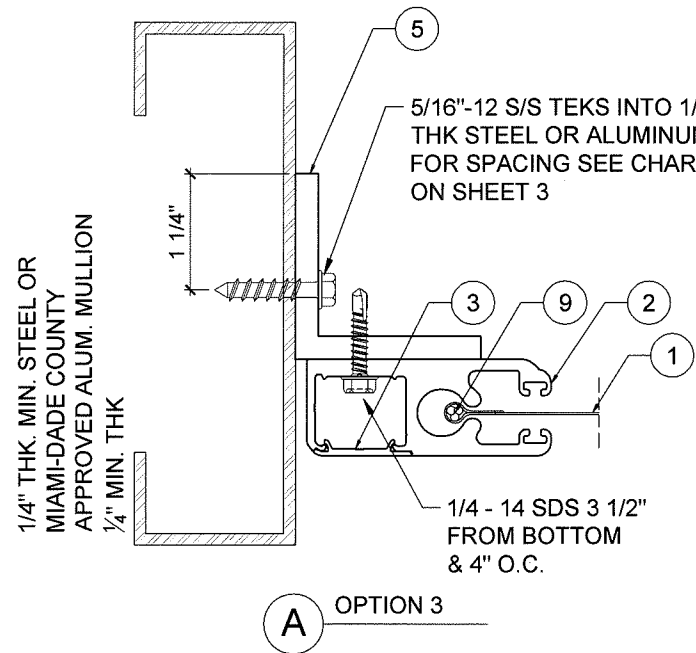
P: 786.360.2786
www.MCYEngineering.com
mcy@mcyengineering.com

ATLAS ARMOR HURRICANE SCREENS - (LMI & SMI)

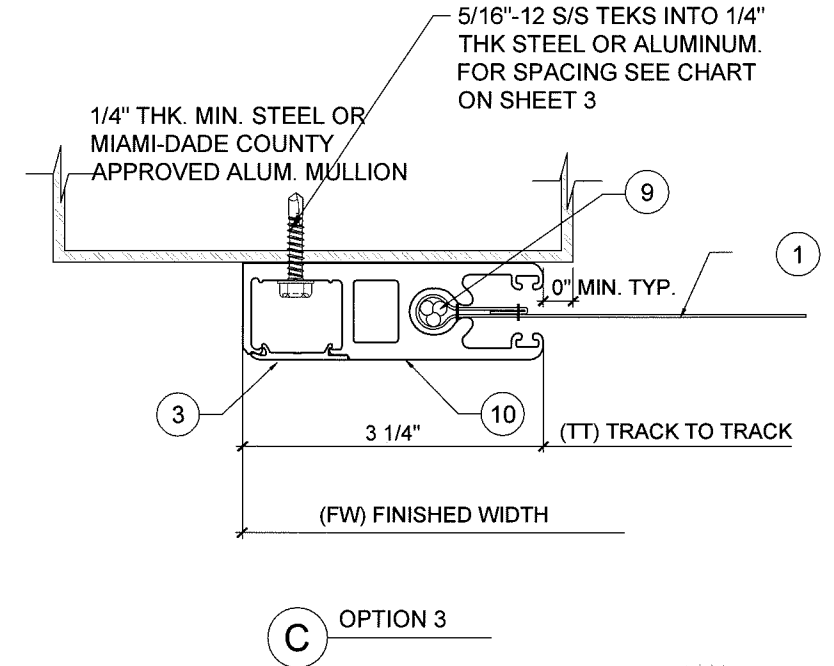
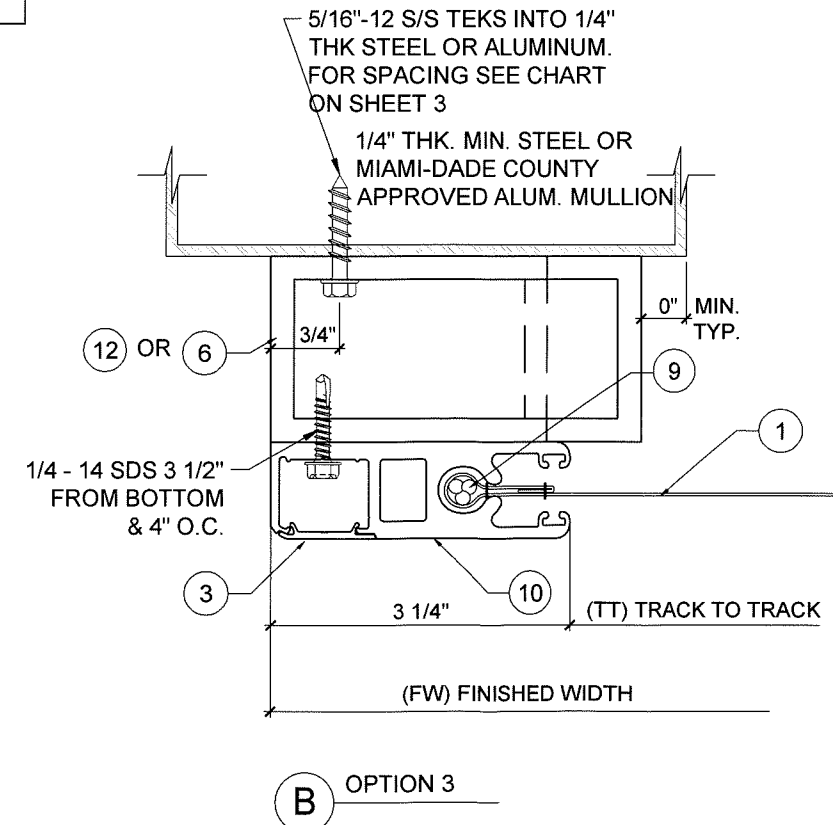
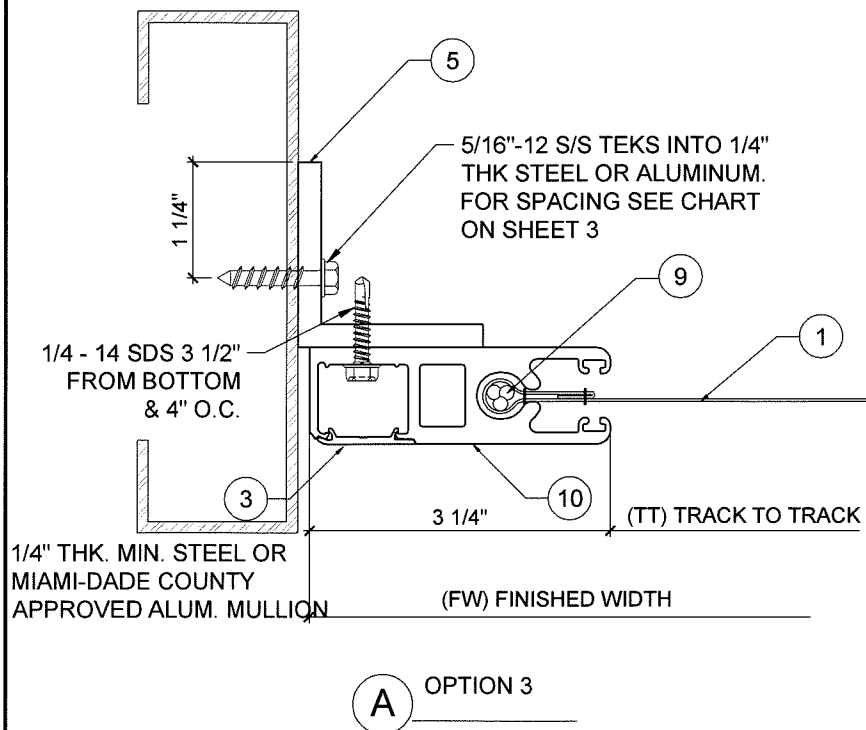
ATLAS ARMOR, INC.
22909 IRONWEDGE DRIVE
BOCA RATON, FL 33433
P: (561) 206 - 0813

MAR 21 2019

DETAILS WITH STANDARD TRACKS



DETAILS WITH HEAVY DUTY TRACKS



ANCHOR
5/16" ST./ST. TEKS SCREW Fu=100 KSI Fy= 65 KSI

ATTACHMENT TO STEEL/ALUM.
A36 OR 6063-T5 MIN. 1/4" MIN. THK

PRODUCT REVISED
as complying with the Florida
Building Code
Acceptance No. 19-0415.03
Expiration Date 04/18/2023
By: *Heidi A. Miller*
Miami Dade Product Control

YIPING WANG, P.E.
FLORIDA REGISTRATION
PE #55983
C.A.N. 28677
No. 55983

PROFESSIONAL ENGINEER
STATE OF FLORIDA

MIAMI DADE COUNTY

NO.	DATE	DESCRIPTION
1	10/15/15	UPDATE TO 2014 FBC
2	03/04/19	UPDATE TO 2017 FBC

MCY ENGINEERING, INC.
GLAZING CONSULTANTS

8501 SW 124 AVE. STE. 205 P: 786.360.2786
MIAMI, FL. 33183

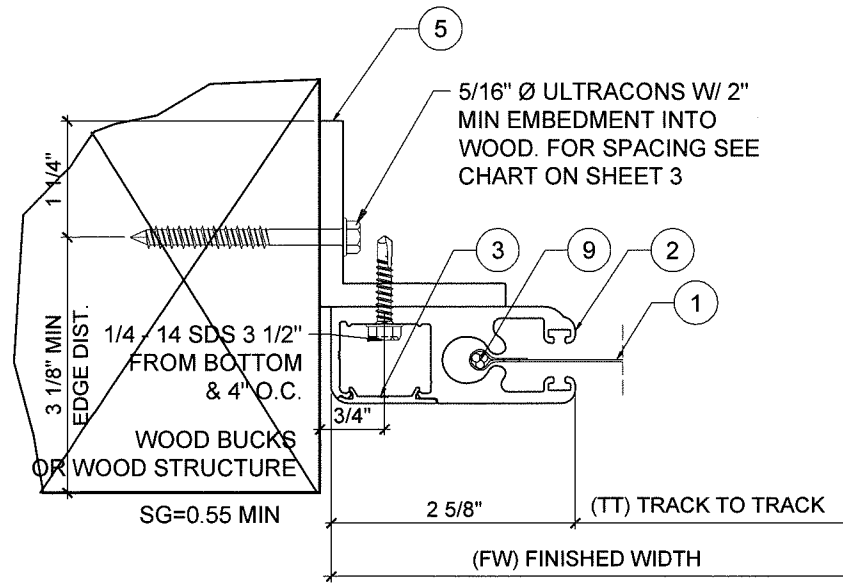
www.MCYEngineering.com mcy@mcyengineering.com

ATLAS ARMOR HURRICANE SCREENS - (LMI & SMI)

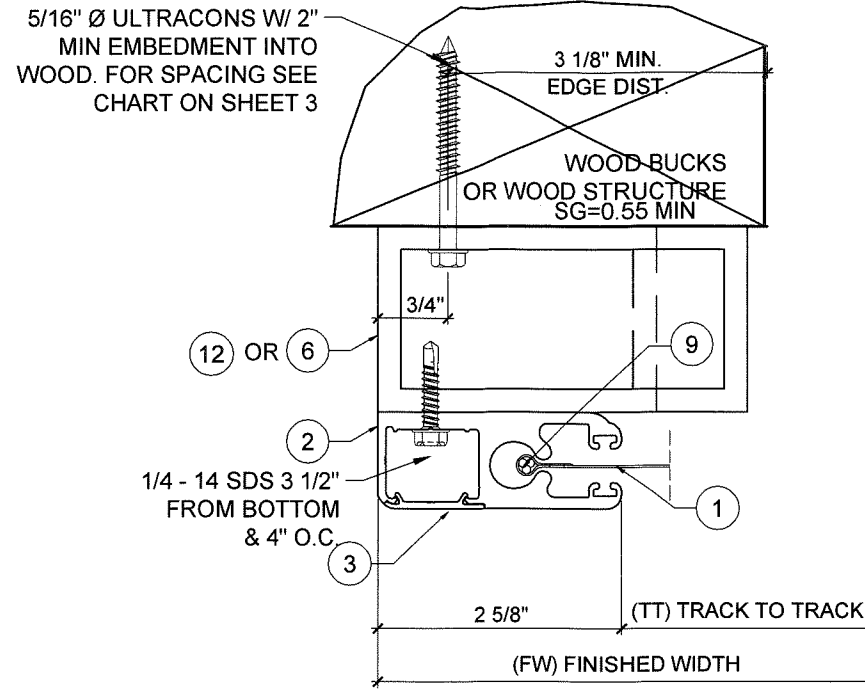
ATLAS ARMOR, INC.
22909 IRONWEDGE DRIVE
BOCA RATON, FL 33433
P: (561) 206-0813

DATE	03-04-2019
SCALE	AS NOTED
DRAWN	YIN
PROJECT	MCY 12-135
DRAWING NO.	AD12-60
SHEET	6 OF 10

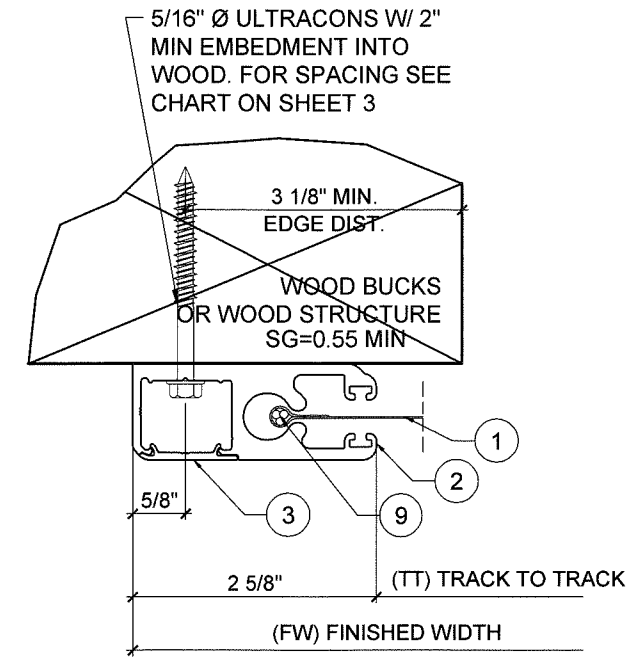
DETAILS WITH STANDARD TRACKS



A OPTION 4

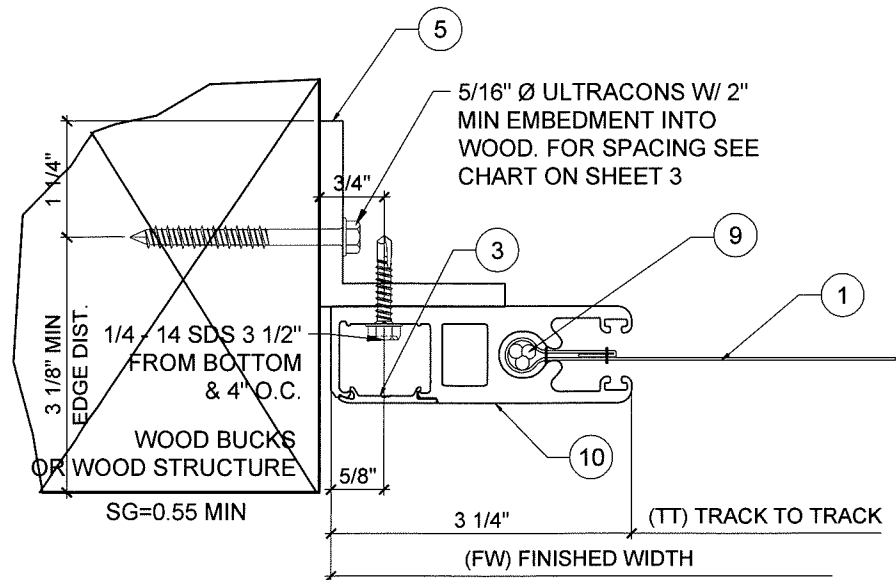


B OPTION 4

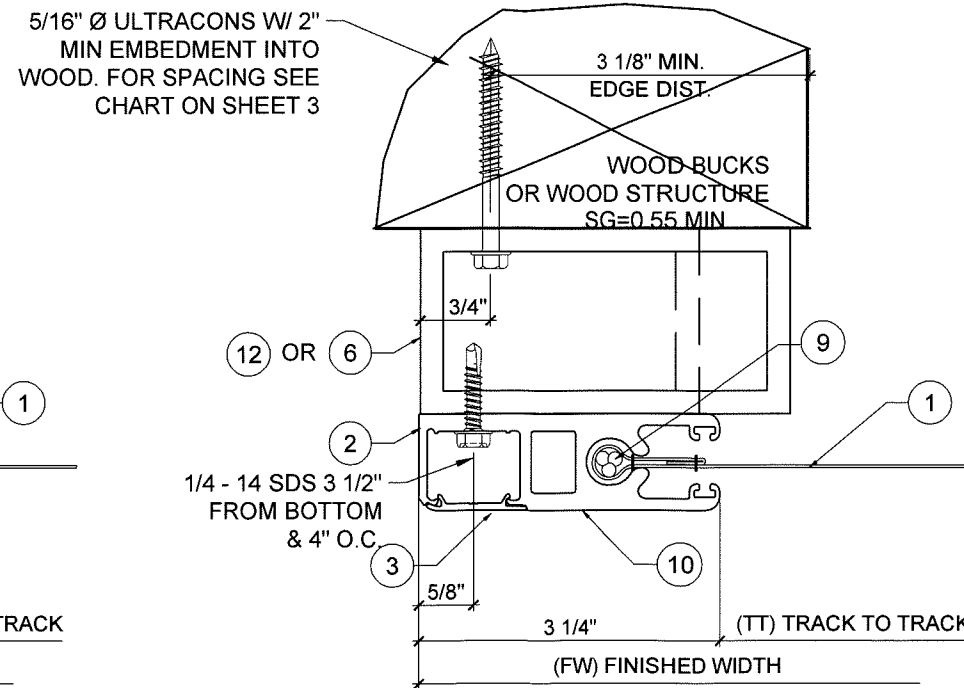


C OPTION 4

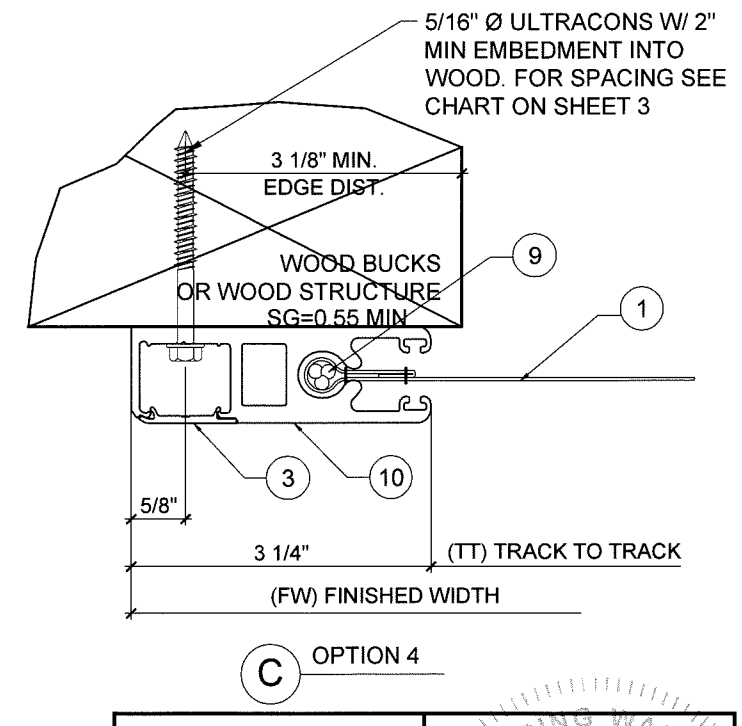
DETAILS WITH HEAVY DUTY TRACKS



A OPTION 4



B OPTION 4



C OPTION 4

ANCHOR
5/16" DIA. ULTRACONS BY 'ELCO' (Fy=155 ksi Fu = 177 ksi)

ATTACHMENT TO WOOD
SG=0.55 MIN

NO	DATE	DESCRIPTION
1	10/15/15	UPDATE TO 2014 FBC
2	03/04/19	UPDATE TO 2017 FBC

MCY ENGINEERING, INC.
GLAZING CONSULTANTS
8501 SW 124 AVE. STE. 205
MIAMI, FL 33183
P: 786.360.2786
www.MCYEngineering.com mcy@mcyengineering.com

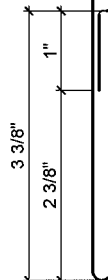
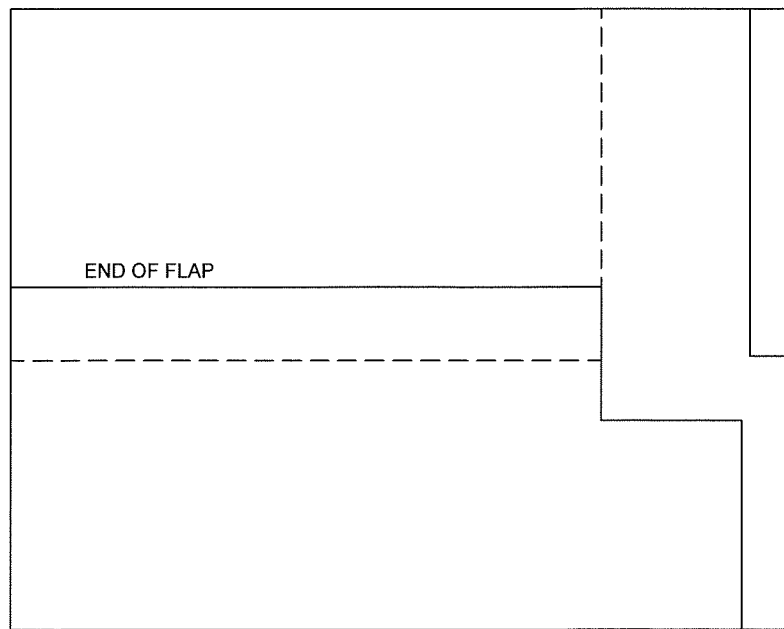
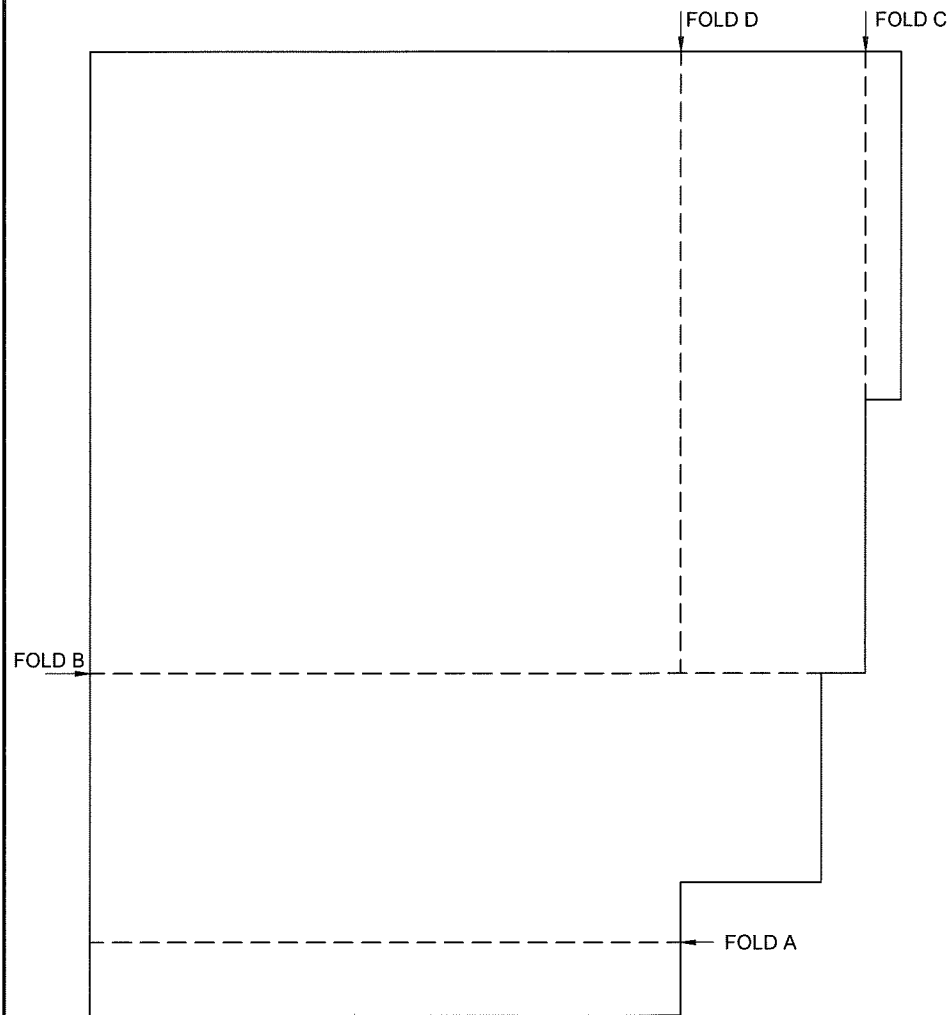
ATLAS ARMOR HURRICANE SCREENS - (LMI & SMI)
ATLAS ARMOR, INC.
22909 IRONWEDGE DRIVE
BOCA RATON, FL 33433
P: (561) 206-0813

PRODUCT REVISED
as complying with the Florida
Building Code
Acceptance No. 19-0415-03
Expiration Date 04/18/2023
By: *[Signature]*
Miami Dade Product Control
MIAMI DADE COUNTY

YIPING WANG, P.E.
FLORIDA REGISTRATION
PE #55983
C.A.N. 28677
No. 55983
STATE OF FLORIDA
PROFESSIONAL ENGINEER

DATE	03-04-2019
SCALE	AS NOTED
DRAWN	YIN
PROJECT	MCY 12-135
DRAWING NO.	AD12-60
SHEET	7 OF 10

MAR 21 2019



1 SCREEN BOTTOM EDGE

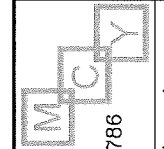
SUMMARY OF TEST RESULTS

TEST STANDARDS	DESCRIPTION	TEST RESULT	MIAMI DADE COUNTY CRITERIA	HURRICANE ENGINEERING AND TESTING NUMBER
ASTM D1929-96	SELF IGNITION TEMPERATURE (SIT)	SIT=751°F	ACCEPTABLE IF >650°F	TEL-01700388C
ASTM D635	RATE OF BURNING (CC1 / C-1)	CC1/C-1 LESS THAN 1.0 IN./MIN.	PASS IF < 1.0 IN./MIN	HETI-12-F108
ASTM D635	AVERAGE TIME OF BURNING	---	---	HETI-12-F108
ASTM D635	AVERAGE EXTENT OF BURNING	---	---	HETI-12-F108
ASTM D2843-99	SMOKE DENSITY (SDR)	SDR=10.6%	ACCEPTABLE IF <75%	TEL-01700388B
ASTM G155-05a	ACCELERATED WEATHERING	+7.2% DIFFERENCE	ACCEPTABLE IF <10%	HETI-12-A403

BREAKING STRENGTH & ELONGATION OF TEXTILE FABRICS

TEST	MAX. FORCE	ELONGATION	HURRICANE ENGINEERING AND TESTING NUMBER	
ASTM D638 & ASTM D5035-11	473 lb/in	98.6%	HETI-12-U109	WEAK DIRECTION
ASTM D638 & ASTM D5035-11	438.8 lb/in	94.80%	HETI-12-U108	WEAK DIRECTION
ASTM D1683-11A	231.7 lb/in	25.00%	HETI-12-T123	AT SEWN SEAMS
ASTM D5034-09	742.6 lb/in	19.60%	HETI-12-T122	STRONG DIRECTION
ASTM D5034-09	449.8 lb/in	74.60%	HETI-12-T121	WEAK DIRECTION

NO	DATE	DESCRIPTION
1	10/19/16	UPDATE TO 2014 FBC
2	03/04/19	UPDATE TO 2017 FBC



MCY ENGINEERING, INC.
GLAZING CONSULTANTS
8501 SW 124 AVE. STE. 205 P: 786.360.2786
MIAMI, FL 33183
www.MCYEngineering.com mcy@mcyengineering.com

ATLAS ARMOR HURRICANE SCREENS - (LMI & SMI)
ATLAS ARMOR, INC.
22909 IRONWEDGE DRIVE
BOCA RATON, FL 33433
P: (561) 206 - 0813

PRODUCT REVISED
as complying with the Florida
Building Code
Acceptance No 19-0415-03
Expiration Date 04/18/2023
By *Heidi A. Wang*
Miami Dade Product Control

YIPING WANG, P.E.
FLORIDA REGISTRATION
PE #55983
C.A.N. 528677
NO. 53333
STATE OF FLORIDA
PROFESSIONAL ENGINEER

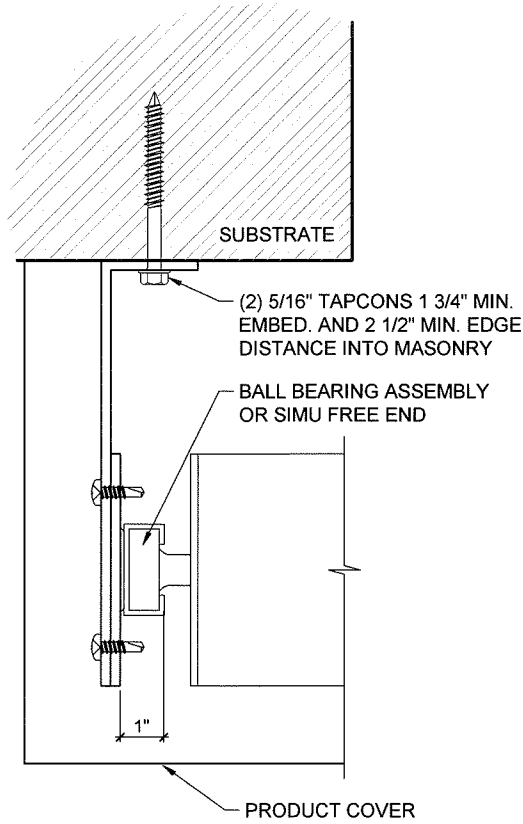
DATE	03-04-2019
SCALE	AS NOTED
DRAWN	YIN
PROJECT	MCY 12-135

DRAWING NO.
AD12-60

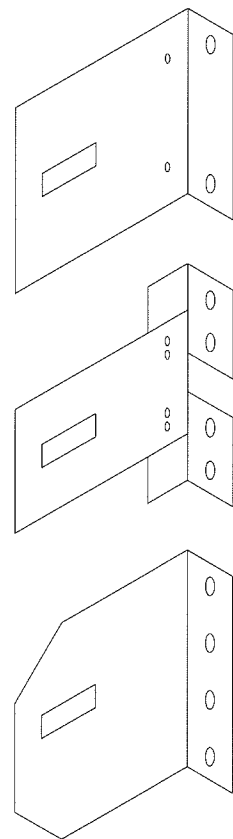
SHEET 8 OF 10

MIAMI DADE COUNTY

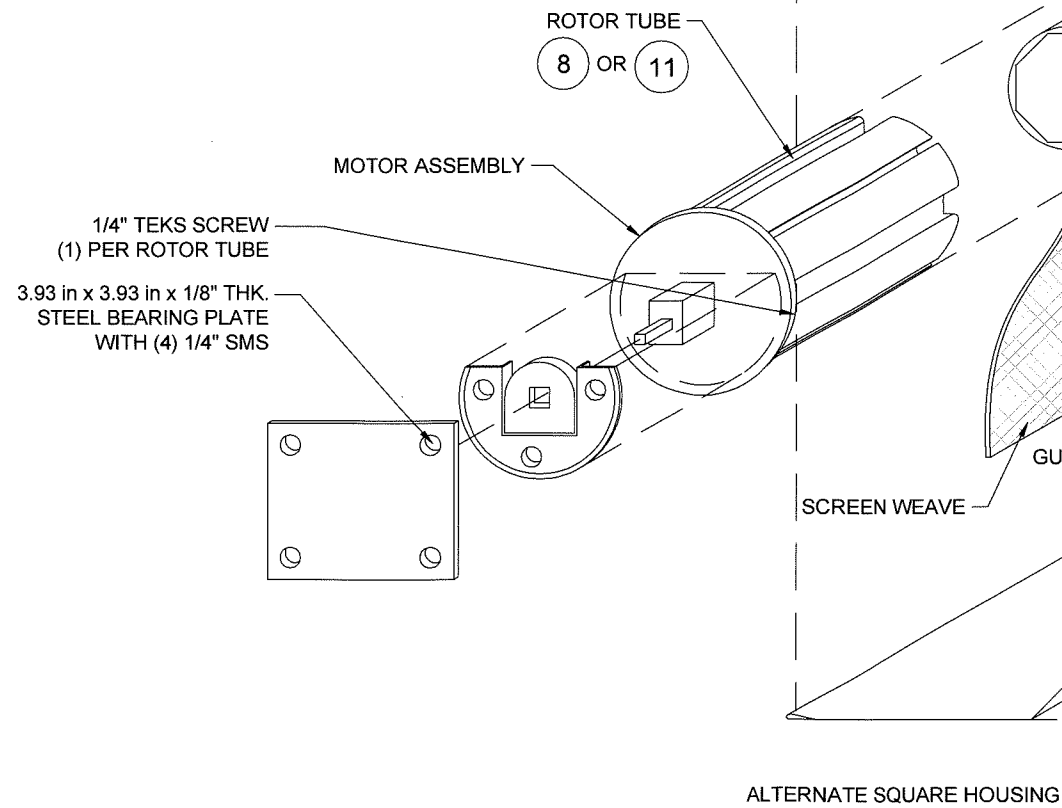
MAR 21 2019



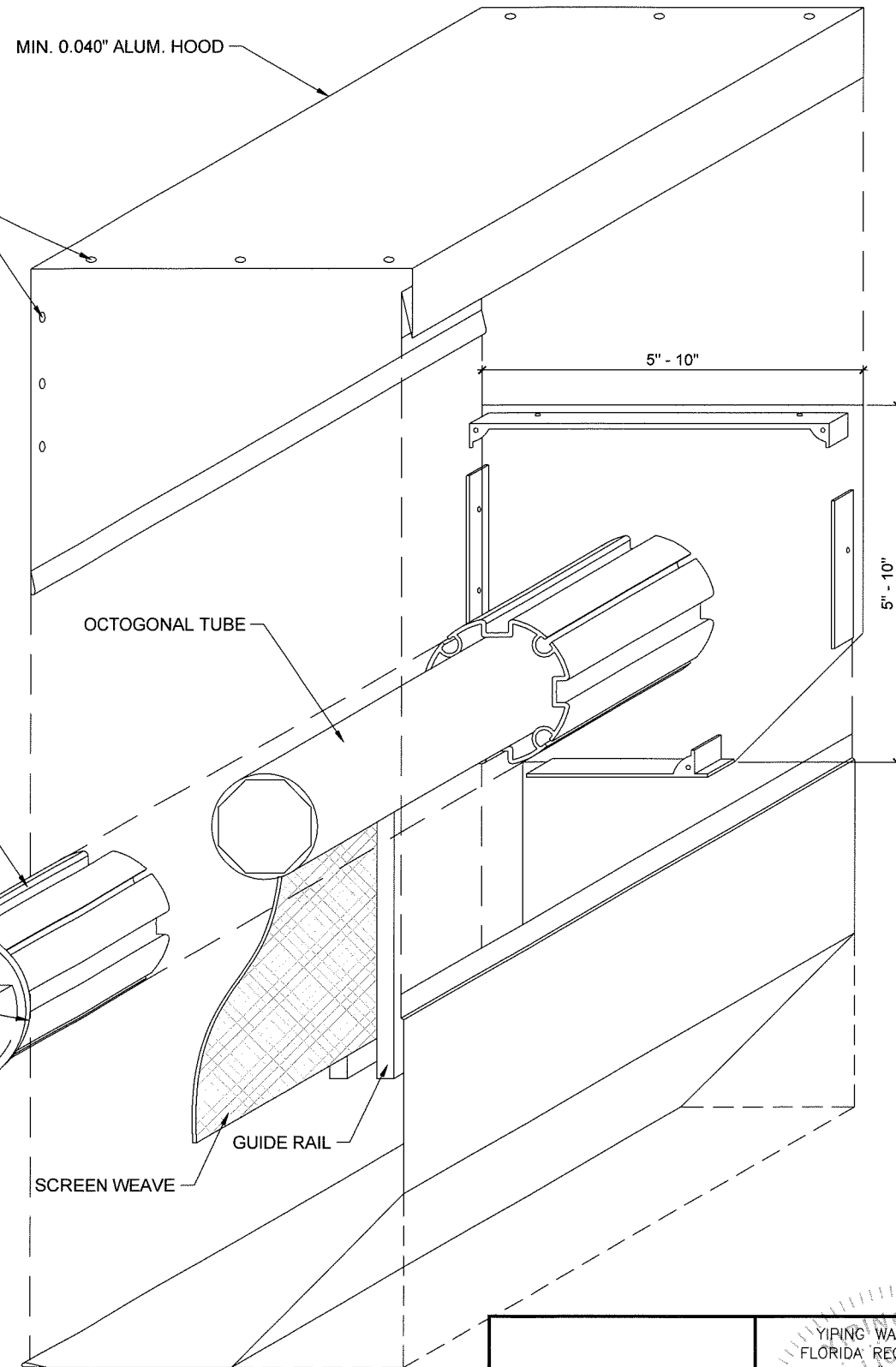
CUSTOM HOOD / BRACKET WALL MOUNT



WALL MOUNT BRACKET OPTIONS



HOUSING ASSEMBLY DETAIL - OPTION
NOT PART OF THIS NOA



PRODUCT REVISED
to comply with the Florida
Building Code
Acceptance No. 19-0415.03
Expiration Date 04/18/2023
By *[Signature]*
Miami Dade Product Control
MIAMI DADE COUNTY

YIPING WANG, P.E.
FLORIDA REGISTRATION
PE #55983
C.A.N. 28677
No. 55983
STATE OF
FLORIDA
PROFESSIONAL ENGINEER

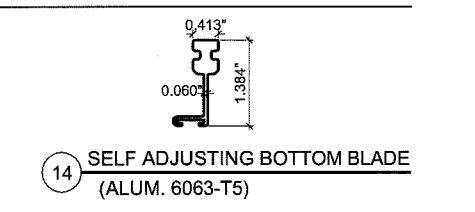
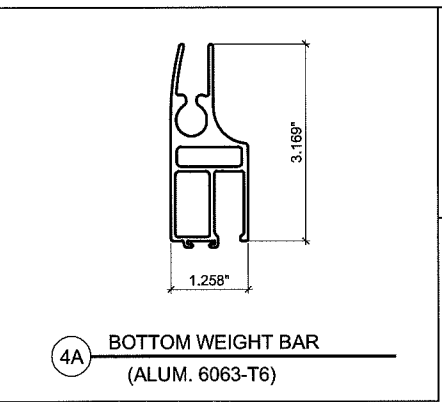
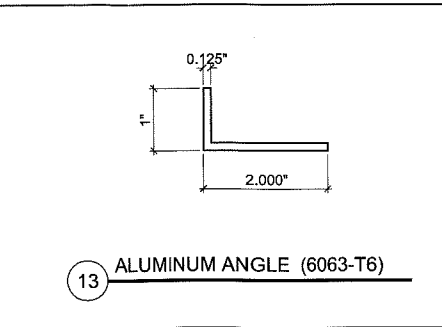
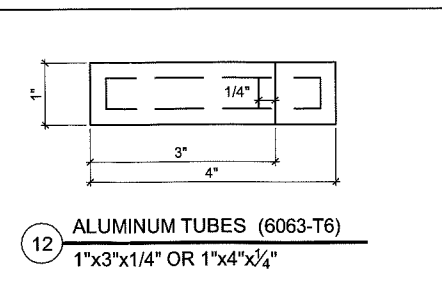
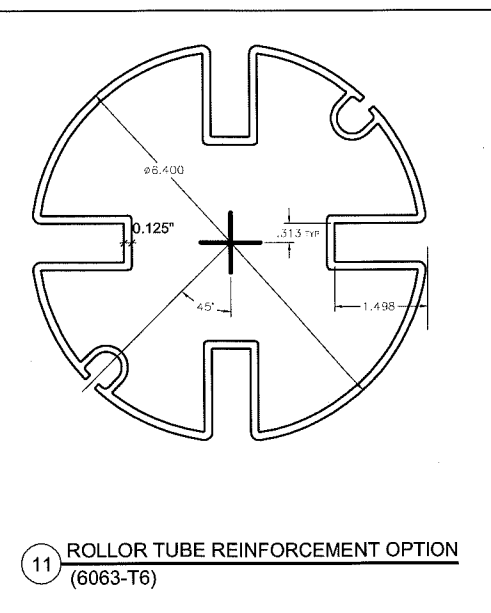
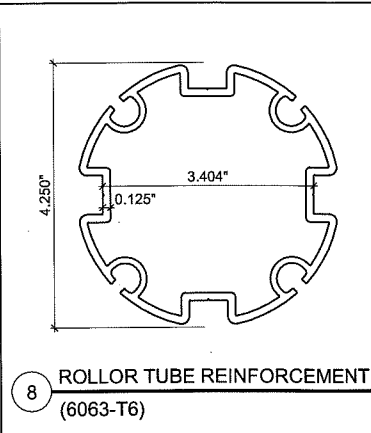
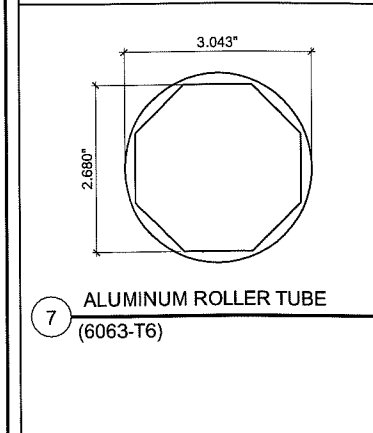
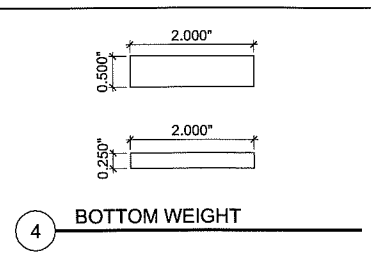
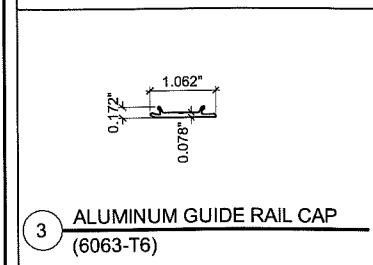
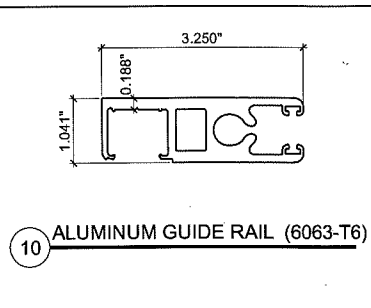
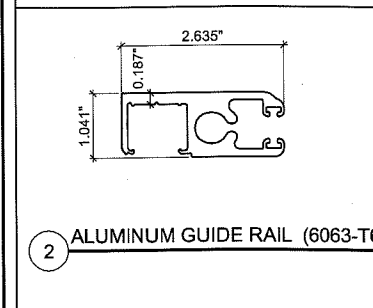
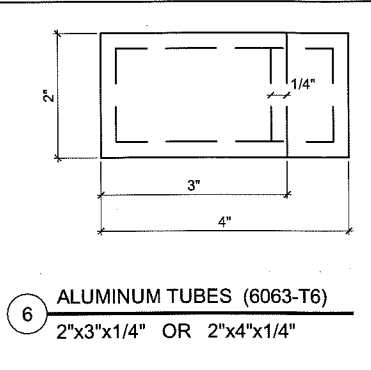
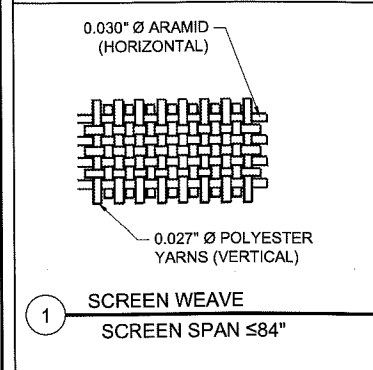
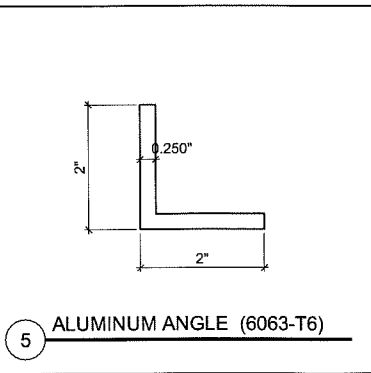
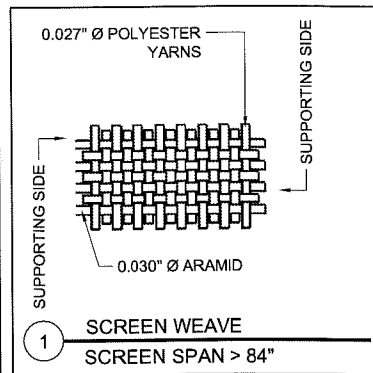
NO.	DATE	DESCRIPTION
1.	10/19/16	UPDATE TO 2014 FBC
2.	03/04/19	UPDATE TO 2017 FBC

MCY ENGINEERING, INC.
GLAZING CONSULTANTS
8501 SW 124 AVE. STE. 205 P: 786.360.2786
MIAMI, FL 33183
www.MCYEngineering.com mcy@mcyengineering.com

ATLAS ARMOR HURRICANE SCREENS - (LMI & SMI)
ATLAS ARMOR, INC.
22909 IRONWEDGE DRIVE
BOCA RATON, FL 33433
P: (561) 206-0813

DATE	03-04-2019
SCALE	AS NOTED
DRAWN	YIN
PROJECT	MCY 12-135
DRAWING NO.	AD12-60
SHEET	9 OF 10

MAR 21 2019



ITEM #	QTY.	PROFILE	DESCRIPTION	MATERIAL	MANUFACTURER/REMARKS
1	AS REQD.	T03A15899	SCREEN WOVEN	POLYESTER & ARAMID	0.045" THICK / TWITCHELL CORP.
2	2 EACH	-	STANDARD GUIDE RAIL	ALUM. 6063-T6	ATLAS ARMOR
3	2 EACH	-	GUIDE RAIL CAP	ALUM. 6063-T6	ATLAS ARMOR
4	1 OR 2 EACH	-	BOTTOM WEIGHT	STEEL	ATLAS ARMOR
4A	AS REQD.	-	BOTTOM WEIGHT BAR/US PATENT NO. 9382752	ALUM. 6063-T6	ATLAS ARMOR
5	AS REQD.	-	ALUMINUM ANGLE	ALUM. 6063-T6	ATLAS ARMOR
6	AS REQD.	-	ALUMINUM TUBE	ALUM. 6063-T6	ATLAS ARMOR
7	AS REQD.	-	ROLLER TUBE	ALUM. 6063-T6	ATLAS ARMOR
8	AS REQD.	-	ROLLER TUBE REINFORCEMENT	ALUM. 6063-T6	ATLAS ARMOR
9	1 PER SIDE	0.325 DIA.	(3) 5/16" - BRAIDED ROPE	POLYPROPYLENE	ATLAS ARMOR
10	2 EACH	-	HEAVE DUTY GUIDE RAIL	ALUM. 6063-T6	ATLAS ARMOR
11	AS REQD.	-	ROLLER TUBE REINFORCEMENT	ALUM. 6063-T6	ATLAS ARMOR
12	AS REQD.	-	ALUMINUM TUBE	ALUM. 6063-T6	ATLAS ARMOR
13	AS REQD.	-	ALUMINUM ANGLE COVER 1"x2"x1/8"	ALUM. 6063-T6	ATLAS ARMOR
14	AS REQD.	-	SELF ADJUSTING BOTTOM BLADE	ALUM. 6063-T5	ATLAS ARMOR

PRODUCT REVISED as complying with the Florida Building Code
 Acceptance No. 19-0415-03
 Expiration Date 04/18/2023
 By: *Heidi A. N...*
 Miami Dade Product Control

YIPING WANG, P.E.
 FLORIDA REGISTRATION PE #55983
 C.A.N. 528677

STATE OF FLORIDA
 PROFESSIONAL ENGINEER

MIAMI DADE COUNTY

REVISIONS

NO.	DATE	DESCRIPTION
1	10/13/16	UPDATE TO 2014 FBC
2	09/04/19	UPDATE TO 2017 FBC

MCY
MCY ENGINEERING, INC.
 GLAZING CONSULTANTS
 8501 SW 124 AVE. STE. 205 P: 786.360.2786
 MIAMI, FL 33163
 www.MCYEngineering.com mcy@mcyengineering.com

ATLAS ARMOR HURRICANE SCREENS - (LMI & SMI)
 ATLAS ARMOR, INC.
 22909 IRONWEDGE DRIVE
 BOCA RATON, FL 33433
 P: (561) 206 - 0813

DATE 03-04-2019
 SCALE AS NOTED
 DRAWN YIN
 PROJECT MCY 12-135
 DRAWING NO. AD12-60
 SHEET 10 OF 10

MAR 21 2019